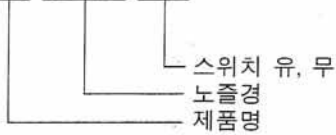


TANAIR PNEUMATICS

VACUUM GENERATORS

MODEL TSV

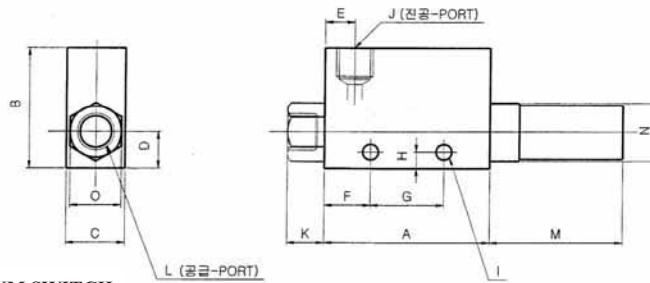
TSV 10HS-CK



MAX TEMP	°C	60
TEMP RANGE		0~60
PRESSURE RANGE	MPa	0.1~0.97(1.0~9.9kgf/cm ²)
MAX VACUUM	mmHg	-690

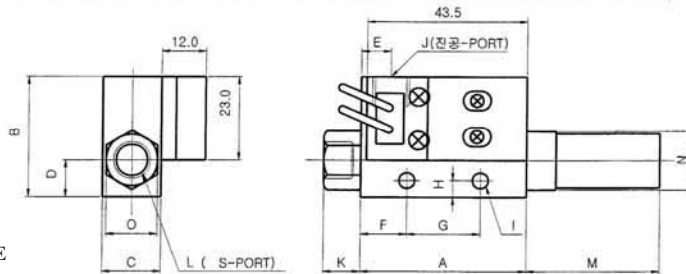
STANDARD TYPE

형 명	A	B	C	D	E	F	G	H	I	J	K	L	M	N	O
TSV-10HS	45	34	16	10	8	13.5	20	5	2-φ4.3	PT1/8	10	PT1/8	36	φ16	14
TSV-15HS	63	35	20	11	10	20	25	5	2-φ4.3	PT1/4	15	PT1/4	36	φ16	17
TSV-20HS	85	40	30	15	13	28	32	7	2-φ6.5	PT3/8	20	PT3/8	48	φ28	24



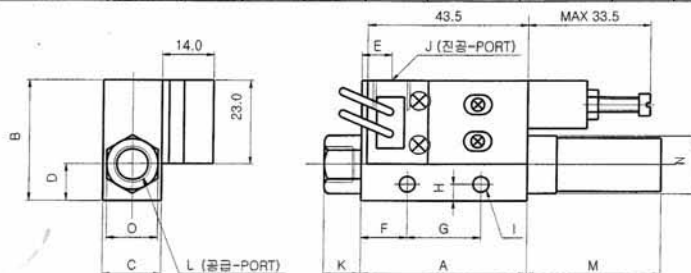
WITH BUILT IN VACUUM SWITCH

W W	A	B	C	D	E	F	G	H	I	J	K	L	M	N	O
TSV-10HS-C	45	34	16	10	8	13.5	20	5	2-φ4.3	PT1/8	10	PT1/8	36	φ16	14
TSV-15HS-C	63	35	20	11	10	20	25	5	2-φ4.3	PT1/4	15	PT1/4	36	φ16	17
TSV-20HS-C	85	50	30	15	13	28	32	7	2-φ6.5	PT3/8	20	PT3/8	48	φ28	24



WITH ADJUSTABLE VACUUM SWITCH

형 명	A	B	C	D	E	F	G	H	I	J	K	L	M	N	O
TSV-10HS-CK	45	34	16	10	8	13.5	20	5	2-φ4.3	PT1/8	10	PT1/8	36	φ16	14
TSV-15HS-CK	63	35	20	11	10	20	25	5	2-φ4.3	PT1/4	15	PT1/4	36	φ16	17
TSV-20HS-CK	85	50	30	15	13	28	32	7	2-φ6.5	PT3/8	20	PT3/8	48	φ28	24



TANAIR PNEUMATICS

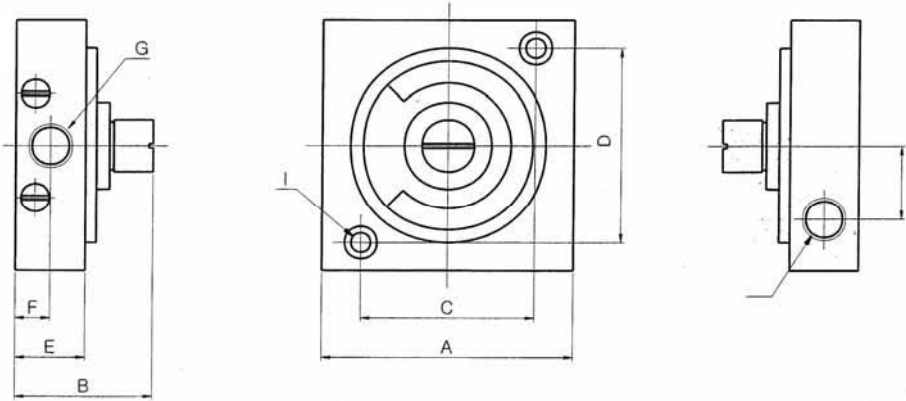
VACUUM EQUIPMENT

VACUUM FILTER

TCF - 03
 Size
 Model

MODEL	PORT	FILTER	DIMENSIONS								
			A	B	C	D	E	F	G	H	φ I
TCF-03	PT1/8	40 μm	58	32	40	45	16	8	PT1/8	18	4.5
TCF-05	PT1/4		64	40	40	45	25	15	PT1/4	20	6
TCF-06	PT3/8		69	46	40	45	30	18	PT3/8	23	6
TCF-600	PT3/4		225	212	48	30	*	60	PT3/4	*	7
TCG-800	PT 1		225	212	48	30	*	60	PT-1	*	7

TCF-03,05,06



TCF-600,800

