


# TANAIR PNEUMATICS

## STAINLESS STEEL 1 PIECE BALL VALVE

### HOW TO ORDER

**EP** 

Body Size

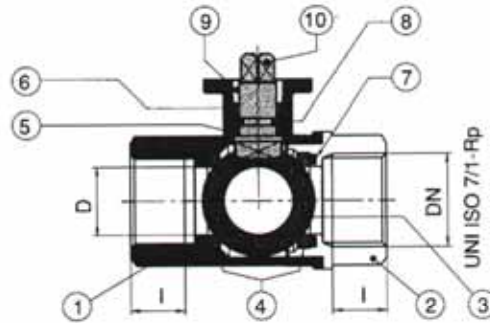
14	1/4"	34	3/4"	200	2"	400	4"
38	3/8"	100	1"	212	2 1/2"		
12	1/2"	112	1 1/2"	300	3"		

**I1SMBV** (Actuator Model if required)

ISO MOUNT, 1 PIECE STAINLESS  
STEEL MANUAL BALL VALVE  
STAINLESS STEEL 1 PIECE BALL  
VALVE

### MATERIALS

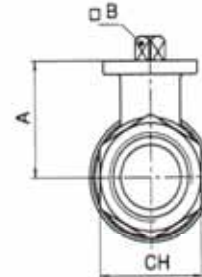
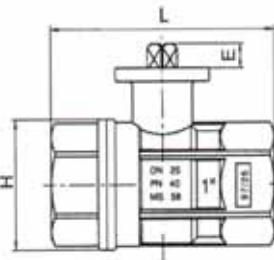
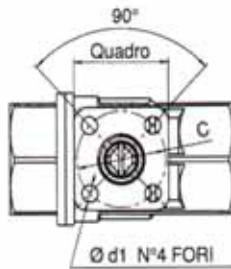
	PART NAME	MATERIAL
1	BODY	EN 12165 Cu Zn 40 Pb2Sn
2	END CONN.	EN 12165 Cu Zn 40 Pb2Sn
3	BALL	EN 12165 Cu Zn 40 Pb2Sn
4	BALL SEAT	P.T.F.E. (TEFLON)
5	ANTIFRICTION SEAT	P.T.F.E. (TEFLON)
6	STEN SEAT	P.T.F.E. (TEFLON)
7	O-RING	FKM (VITON)
8	O-RING	FKM (VITON)
9	WASHER	EN 12165 Cu Zn 40 Pb2Sn
10	STEM	EN 12165 Cu Zn 40 Pb2Sn



**THREADS** F&F Rp-R-ISO 7/1

**WORKING TEMPERATURE** -20°C to 160°C

**MAXIMUM PRESSURE** 4000kPa (555psi)



DN	D	QUADRO	A	B	C	d1	E	H	I	L	CH	Kv	PN	Kg	Torque Nm	
1/4"	8	14.2	38	30.5	9	36	6	7	33.5	11	67	27	5.4	40	.35	6
3/8"	10	14.2	38	30.5	9	36	6	7	33.5	11.4	67	27	6	40	.35	6
1/2"	15	14.2	38	30.5	9	36	6	7	33.5	15	67	27	16.3	40	.30	6
3/4"	20	19	38	32.5	9	36	6	7	40	16.3	76	32	16.3	40	.40	6
1"	25	24.2	38	43	9	36	6	9	49	19.1	90	41	29.5	40	.71	6
1 1/4"	32	30	38	46.5	9	36	6	9	58.5	21.4	102	50	43	40	1.05	6
1 1/2"	40	38	50	61	11	50	7	10.75	71.5	21.4	114	55	230	40	1.43	17
2"	50	50.2	50	70.25	11	50	7	10.75	91.5	25.7	138	70	265	40	2.67	17
2 1/2"	65	65	70	85	14	70	9	15	113	30.2	165	90	540	40	3.98	31
3"	80	76	70	94.5	14	70	9	15	135	33.3	188	105	810	40	6.10	31
4"	100	95	70	116	17	70	9	18	166	39.3	225	130	1280	40	10.25	73

Torques in the above table are emitted in laboratory tests under the following conditions. Temperature: 20°C Pressure: 0 bar.  
We recommend the valve use in fully open or closed, not in mid position, and to manoeuvre the valve at least twice a year.

# TANAIR PNEUMATICS

## ISO MOUNT STAINLESS STEEL 3 WAY BALL VALVE

### HOW TO ORDER

EP

Body Size

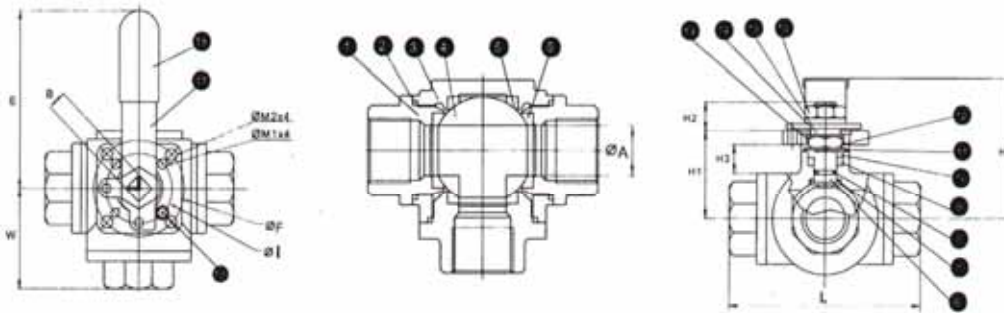


IO3SMBV (Actuator Model if required)

ISO MOUNT, 3 WAY STAINLESS STEEL, MANUAL BALL VALVE

14	1/4"	34	3/4"	200	2"	400	4"
38	3/8"	100	1"	212	2 1/2"		
12	1/2"	112	1 1/2"	300	3"		

### Stainless Steel 3-WAY BALL VALVE (Direct Mount Design)



#### DIMENSIONS (mm)

Size	DA	B	E	H	H1	H2	H3	DI	DF	L	DM1	DM2	W	Wt.(kg)	ISO5211
1/4"	11	9	130	62	38.5	11	11.8	36	42	72	6.0	6.0	36	.64	F03F04
3/8"	12	9	130	62	38.5	11	11.8	36	42	72	6.0	6.0	36	.60	F03F04
1/2"	15	9	130	64	41	11	13.4	36	42	83	6.0	6.0	41.5	.82	F03F04
3/4"	20	11	185	82	49	14	14.8	42	50	99	6.0	7.1	49.5	1.39	F04F05
1"	25	11	185	89	55	14	15	42	50	112	6.0	7.1	56	2.10	F04F05
1 1/4"	32	14	205	98	63	18	16.2	50	70	125	7.1	8.2	62.5	2.50	F05F07
1 1/2"	38	14	205	108	74	18	16.5	50	70	148	7.1	8.2	74.5	5.10	F05F07
2"	40	17	325	140	93	22	24.2	70	102	174	9.2	11.4	87	9.40	F07F10

NO	PART NAME	MATERIAL
1	End Cap	A351 Gr.CF8M
2	Gasket	PTFE
3	Body	A351 Gr.CF8M
4	Ball	CF8M/1.4408
5	Seat	RPTFE
6	Stem	SS316
7	Stem Seal	RPTFE
8	O-Ring	VITON
9	Stem Packing	PTFE
10	Gland	SS304
11	Belleville Washer	SS301
12	Stem Nut	SS304
13	Nut Stop	SS304
14	Space Washer	SS304
15	Lock Saddle	SS304
16	Handle Nut	SS304
17	Handle	SS304
18	Handle Steeve	Vinyl
19	Stop Pin	SS304

#### FLOW PATTERNS

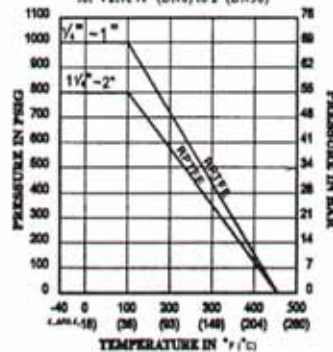
##### L-PORT



##### T-PORT



#### Pressure Vs. Temperature Chart for Valve 1/2" (DN8) to 2" (DN50)



#### FEATURES

- L or T Port Option
- Full Port
- All Stainless Steel Construction
- ISO5211 Actuator Direct Mounting Pad
- Locking Device Standard

#### BREAK AWAY TORQUES

SIZE	Nm	In / lbs.
1/4"	12	105
3/8"	12	105
1/2"	13	115
3/4"	21	185
1"	34	300
1 1/4"	36	325
1 1/2"	46	405
2"	68	600

30% Safety factor included.

# TANAIR PNEUMATICS

## STAINLESS STEEL 2 PIECE BALL VALVE

### HOW TO ORDER

EP

Body Size



2FSMBV Actuator Model if required)

2 PIECE, FLANGED, ANSI 150,  
STAINLESS STEEL MANUAL BALL VALVE

14	1/4"	34	3/4"	200	2"	400	4"
38	3/8"	100	1"	212	2 1/2"		
12	1/2"	112	1 1/2"	300	3"		

### Stainless Steel 2PC Ball Valve ANSI150#



#### SPECIFICATIONS

Full Port Split Body Ball Valve

Temperature range: -60 to 450°F

Face to face: ANSI B16.5

Flange dimensions: ANSI B16.5

Pressure rating: ANSI 150#

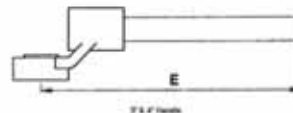
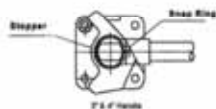
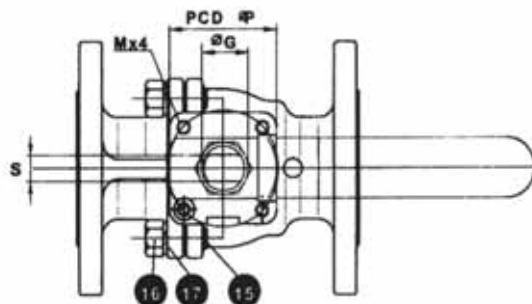
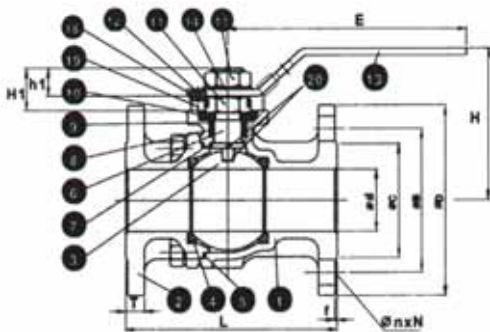
#### FEATURES

2 Piece design facilitate inspection and repair

Blow-out proof stem

Anti-Static design is standard

NO.	PART NAME	MATERIAL
1	Body	ASTM A351 GR.CF8M
2	Cap	ASTM A351 GR.CF8M
3	Ball	ASTM A351 GR.CF8M
4	Seal	PTFE
5	Joint Gasket	PTFE
6	Stem	SS316
7	Stem Seal	PTFE
8	V-Ring Packing	PTFE
9	Gland Ring	SS304
10	Belleville Washer	SS301
11	Stem Nut	SS304
12	Lock Saddle	SS304
13	Handle	SS304
14	Handle Washer	SS304
15	Bolt	SS304
16	Bolt Nut	SS304
17	Spring Washer	SS304
18	Bolt	SS304
19	Washer	SS304
20	Static Device + Spring	SS304 + Spring



#### Dimensions (mm)

Size	aD	aB	aC	aD	E	L	T	f	aN	N	M	aP	S	aG	H	H1	h1	W(kg)	ISO5211
2"	50.0	120.7	92.0	152.4	255	178	14.2	1.6	19.1	4	M8	70	15	22	136	39	22	8.9	F07
2 1/2"	65.0	139.7	105	177.8	255	190.5	16.0	1.6	19.1	4	M8	70	15	22	155	39.5	25.4	12.4	F07
3"	80.0	152.4	127	190.5	350	203	17.5	1.6	19.1	4	M10	102	17	25.8	167	43	28	19.6	F10
4"	100	190.5	157	228.6	400	228.6	22.3	1.6	19.1	8	M10	102	17	25.8	179	40	25.5	29.6	F10