

TANAIR

MODULAR TYPE AIR UNIT (EAW&EAL) Filter Regulator & Lubricator Combination Units

EAC2000 - EAC6000 Series

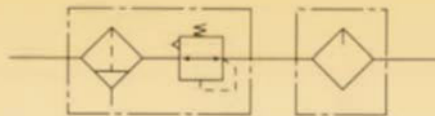
EAC series are compact type assemblies of a filter regulator and a lubricator. EAC series are most suitable to spatial application by minimising occupied space of machinery.



● How to order

	EAC	30	10	-	03	DG	-	ME
1	Air Unit							
2	Body Size	20-1/4 30-3/8 40-1/2 60-1						
3	Composition	00-AF+AR+AL 10-AW+AL 20-AF+AR 30-AF+AFM+AR 40-AW+AFM 50-AFM+AFD+AR 60-AW+AFM+AFD						
4	Port Size	02-Rc (PT) 1/4" 03-Rc (PT) 3/8" 04-Rc (PT) 1/2" 06-Rc (PT) 3/4" 10-Rc (PT) 1"						
5	Accessory (Optional)	Nil -Manual Drain D -Auto Drain G -Gauge						
6	Option	Nil -PC Bowl Me -Metal Bowl						

● Symbol



● Specification

Combination	Filter regulator Lubricator
Max. Supply pressure	1.5MPa (15.3kgf/cm ²)
Max. Operating pressure	0.97MPa (9.9kgf/cm ²)
Regulating range	50-850kPa (0.5-8.7kgf/cm ²)
Ambient and media temperature	5-60°C
Filtration	Standard: 10um. Option: 2, 5, 20, 40
Recommended oil	Turbine oil (ISO Vg32)
Bowl material	Poly-carbonate . Metal
Construction/ Filter regulator	Relief type

● Precautions

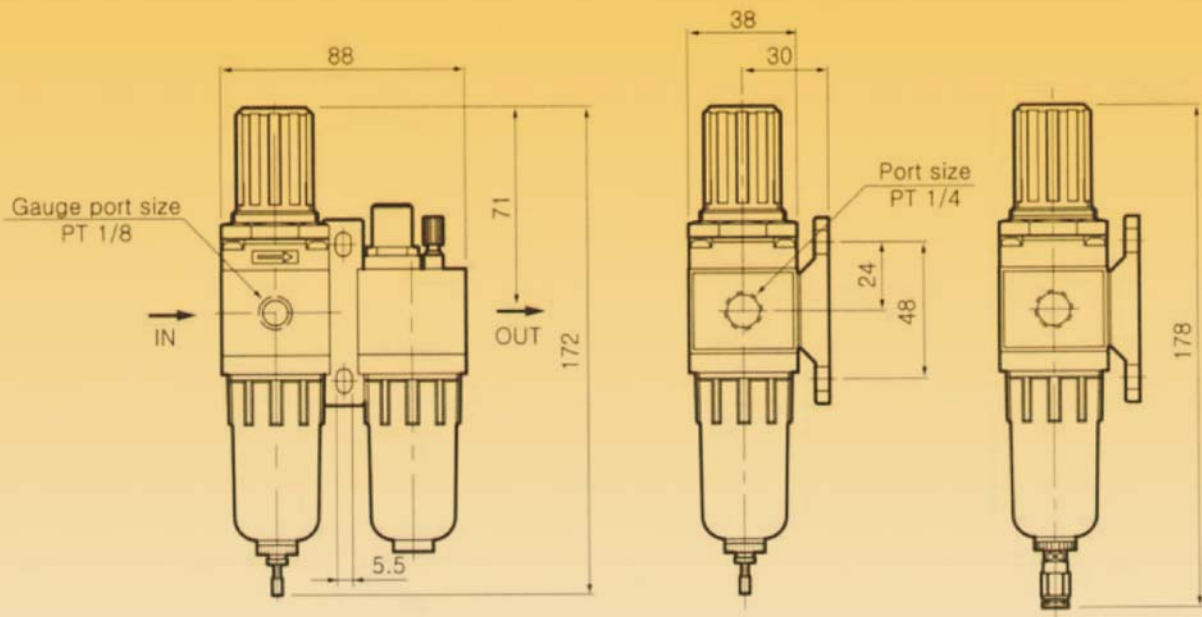
- ① Poly-carbonate bowls may be damaged and highly possible to fail if exposed to synthetic oils, thinner solvents, trichloroethylene, kerosene, chloroform, cyclohexane or other aromatic hydrocarbons and such environment exposed chemicals such as above.
- ② When auto drain is used:
Drain piping should be both 4mm or greater in diameter and less than 1m in length.
Also should avoid setting drain piping upwards.
- ③ When auto drain out is of order, it is possible to drain manually by operating one-touch-fitting vertically.
- ④ With a drain cock attached, it can be drained when the head of liquid is shown at the glass indication tube.

TANAIR

EAW & EAL Series

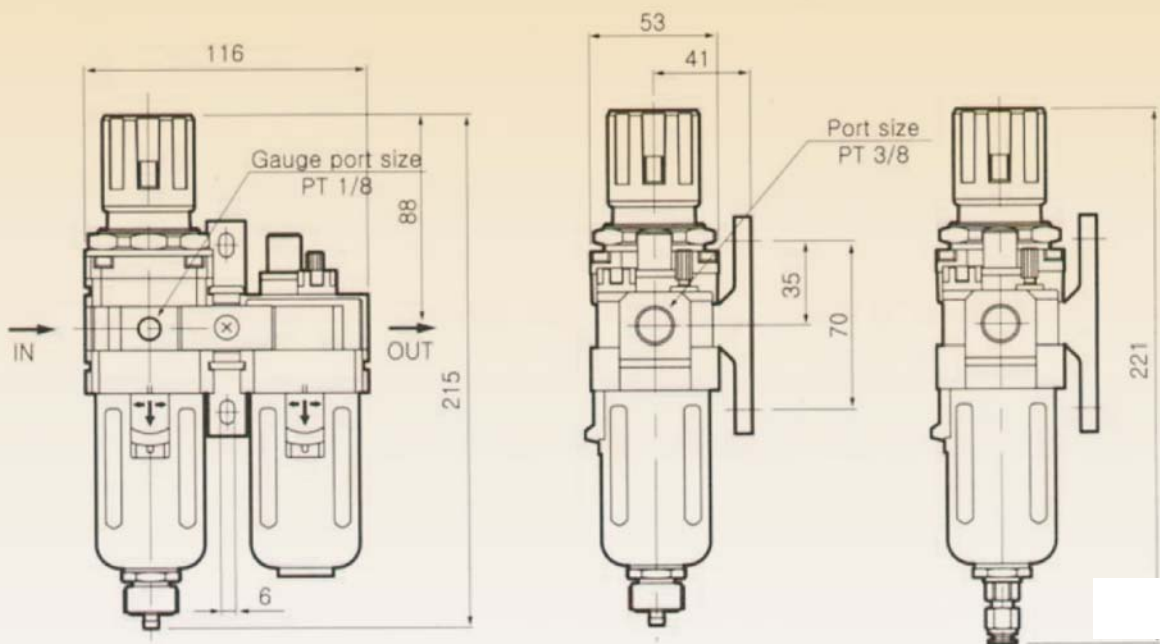
● DIMENSIONS (mm)

EAC 2010



With differential pressure type auto drain

EAC 3010



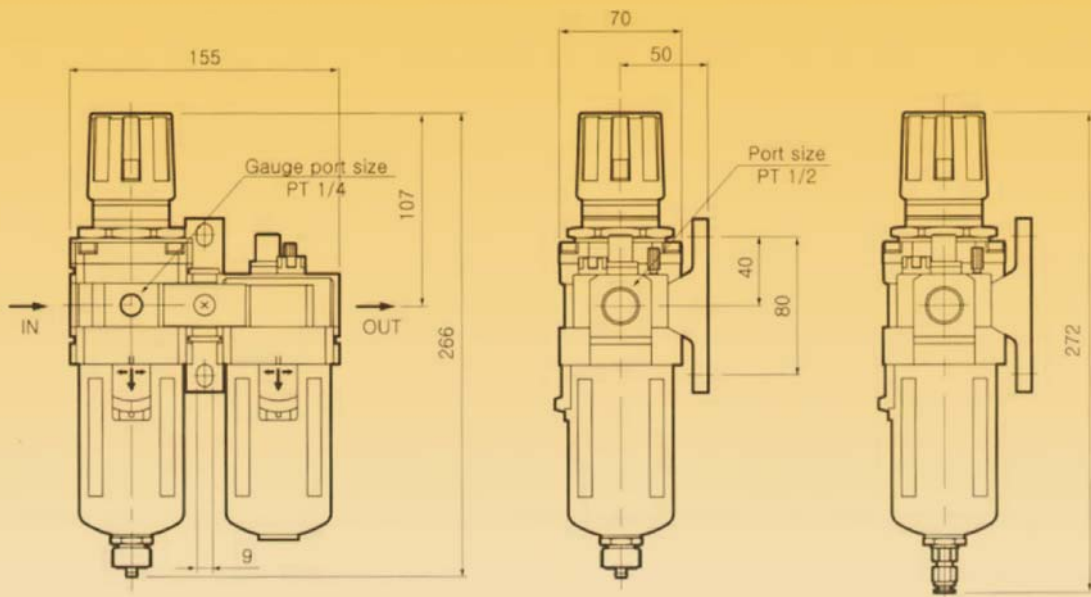
With float type auto drain

TANAIR

EAW & EAL Series

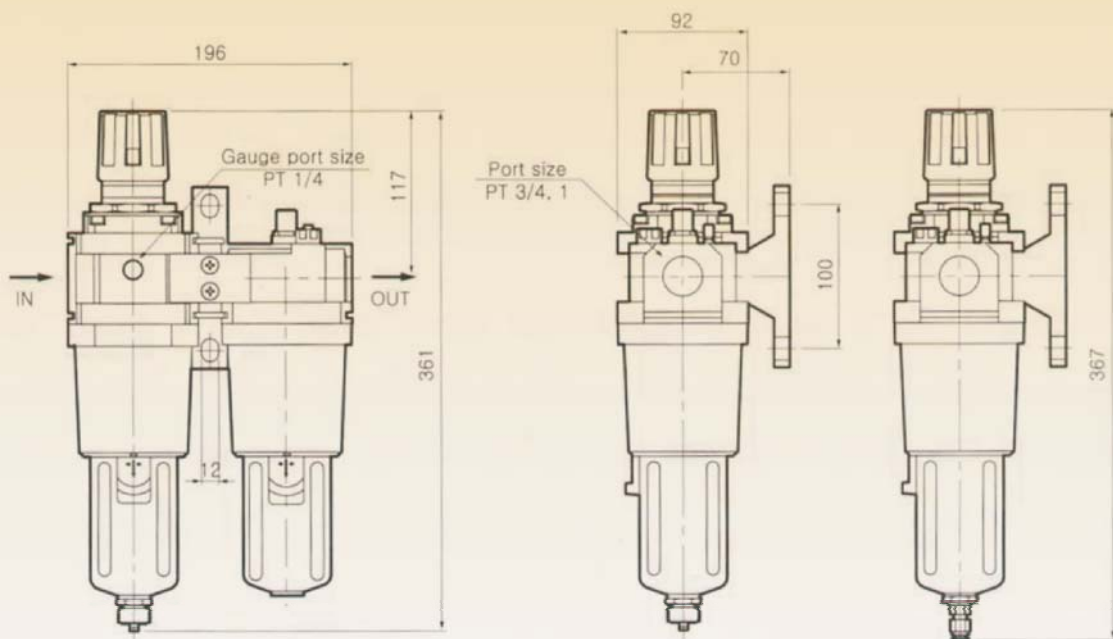
- DIMENSIONS (mm)

EAC 4010



With float type auto drain

EAC 6010



With float type auto drain