

# TANAIR

## AUTO DRAIN VALVE (EAD)

### ● EAD 402 Series

EAD series enable the condensed water in the compressed air line to be drained automatically. EAD series are possible to operate manually.



### ● How to order

	EAD	402	-	04	-	Me
1	Air Drain					
2	Body Size	402-1/2				
3	Port Size	02-Rc (PT) 1/4"				
		03-Rc (PT) 3/8"				
		04-Rc (PT) 1/2"				
4	Option					
		Nil -PC Bowl				
		Me -Metal				

### ● Symbol



### ● Specification

Fluid	Compressed air
Max. Supply pressure	1.5MPa (15.3kgf/cm <sup>2</sup> )
Max. Operating pressure	1MPa (10.2kgf/cm <sup>2</sup> )
Regulating range	0.15-1.0kPa (1.5-10.2kgf/cm <sup>2</sup> )
Ambient and media temperature	5-60°C
Port size	1/4, 3/8, 1/2
Port size for drain	φ6
Weight (g)	364

### ● Precautions

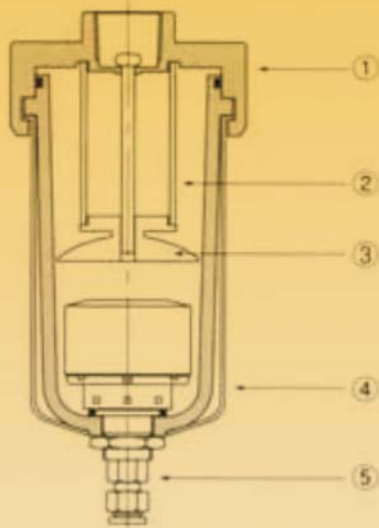
- 1 Drain piping should be both 4mm or greater in diameter and less than 1m in length. Avoid upwards setting of drain piping and allow the drainage to be on the wall surface of hose.
- 2 The drainage hose installed should be straight.
- 3 When auto drain is out of order, it is possible to drain manually by operating one-touch-fitting vertically.

# TANAIR

## EAD Series

### ● STRUCTURE/ PARTS

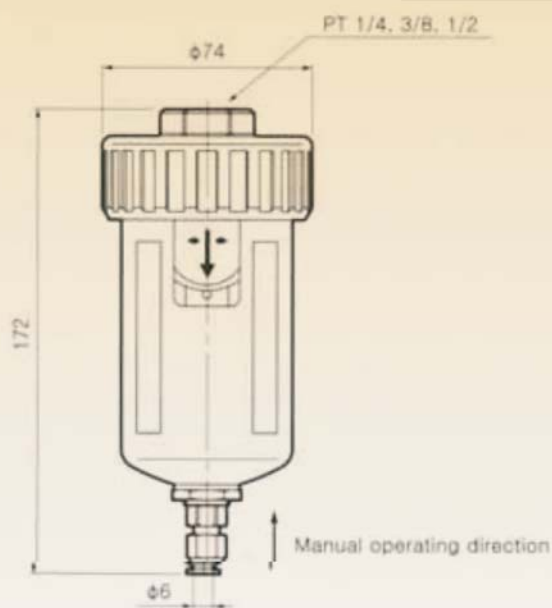
EAD 402



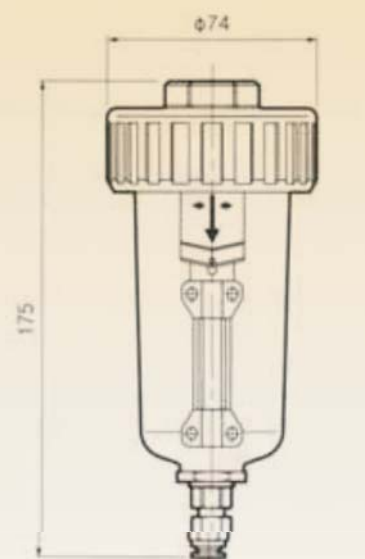
No	PARTS	MATERIAL
1	Body	ALOC
2	Element	Porous plastics
3	Buffer	ABS
4	Bowl	PC
5	Auto-Drain Kit	

### ● DIMENSIONS (mm)

EAD 402



EAD 402-Me



With float type auto drain