

TANAIR

AIR FILTER (EAF)

EAF2000 - 6000 Series



● How to order

EAF	3000	-	03	BD	-Me
1 Air Filter	2 Body Size 20-1/4 30-3/8 40-1/2 60-1		3 Port Size 02-Rc (PT) 1/4" 03-Rc (PT) 3/8" 04-Rc (PT) 1/2" 06-Rc (PT) 3/4" 10-Rc (PT) 1"	4 Accessory (Optional) Nil -Manual Drain B -Bracket D -Auto Drain	5 Option Nil -PC Bowl Me -Metal Bowl

● Symbol



● Specification

Max. Supply pressure	1.5MPa (15.3kgf/cm ²)
Max. Operating pressure	1MPa (10.2kgf/cm ²)
Min. Operating pressure	0.05MPa (0.5kgf/cm ²)
Ambient and media temperature	5-60°C
Filtration	Standard: 10um. Option: 2, 5, 20, 40
Bowl material	Poly-carbonate . Metal

● Precautions

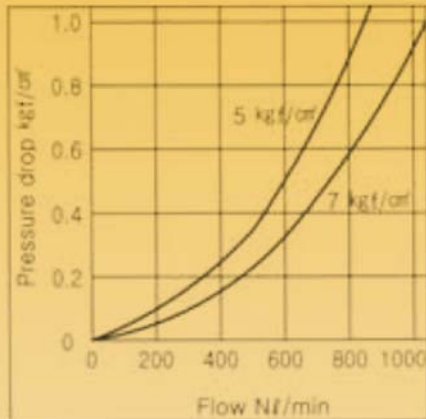
- ① Poly-carbonate bowls may be damaged and highly possible to fail if exposed to synthetic oils, thinner solvents, trichloroethylene, kerosene, chloroform, cyclohexane or other aromatic hydrocarbons and such environment exposed chemicals such as above.
- ② When auto drain is used:
Drain piping should be both 4mm or greater in diameter and less than 1m in length.
Also should avoid setting drain piping upwards.
- ③ When auto drain is out of order, it is possible to drain manually by operating one-touch-fitting vertically.
- ④ With a drain cock attached, it can be drained when the head of liquid is shown at the glass indication tube.

TANAIR

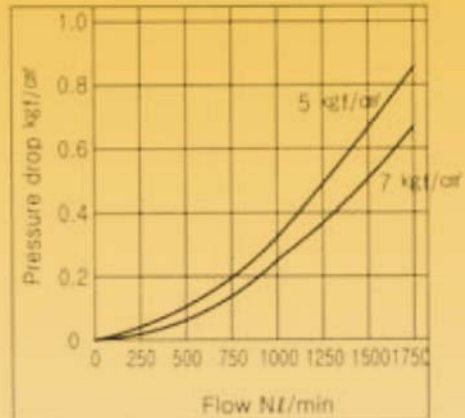
EAF Series

● FLOW CHARACTERISTICS

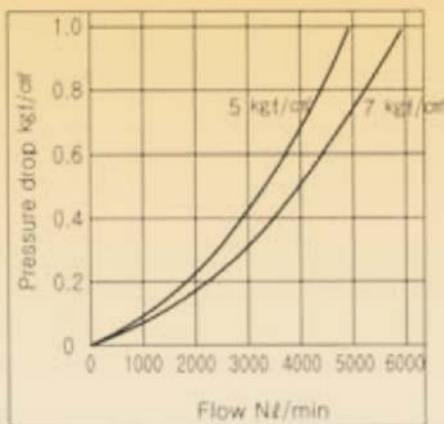
EAF 2000



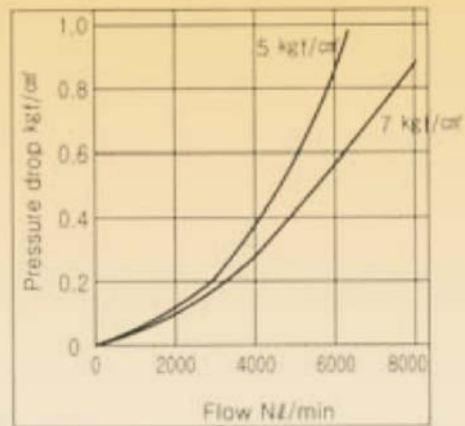
EAF 3000



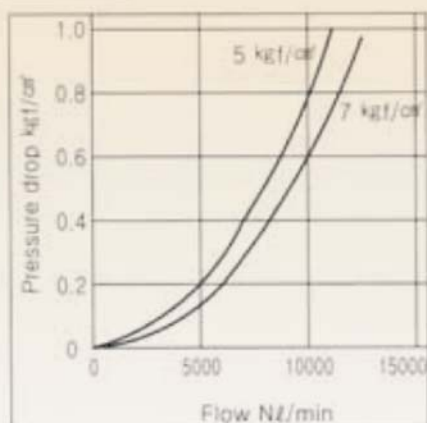
EAF 4000-04



EAF 4000-06



EAF 6000

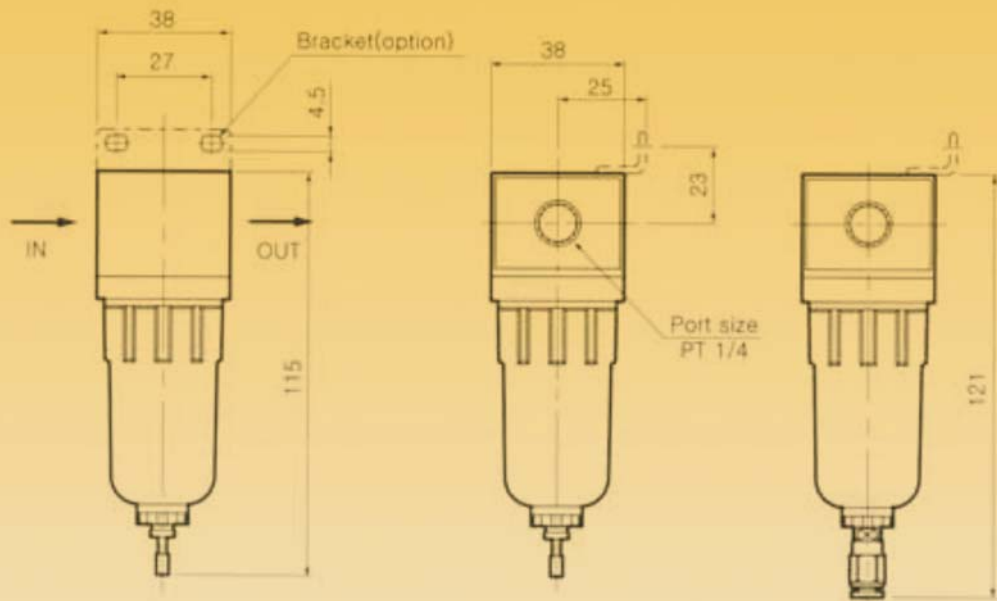


TANAIR

EAF Series

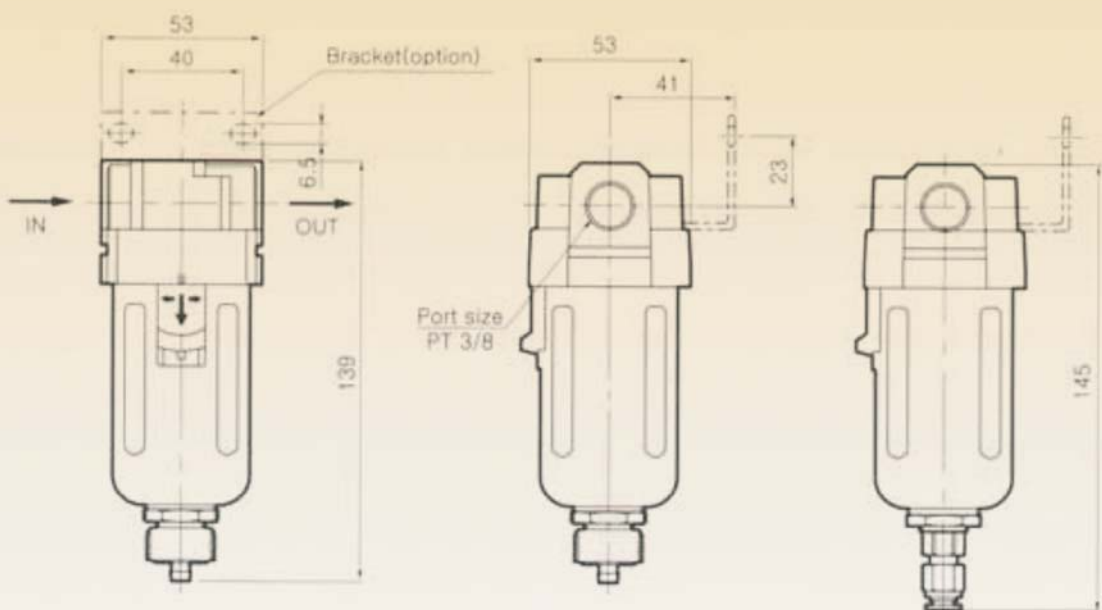
- DIMENSIONS (mm)

EAF 2000



With differential pressure type auto drain

EAF 3000



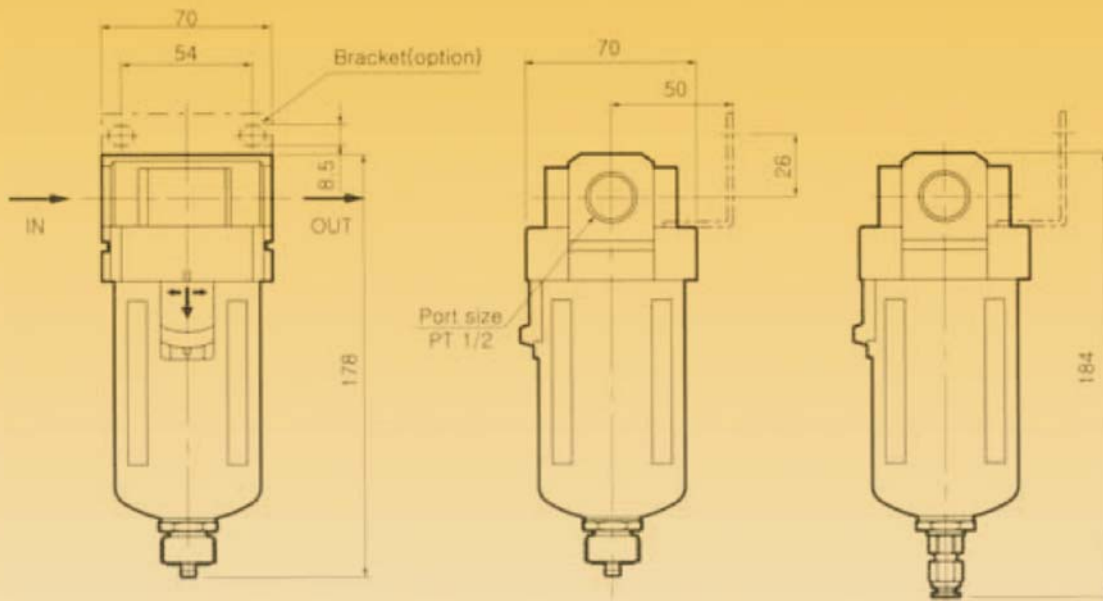
With float type auto drain

TANAIR

EAF Series

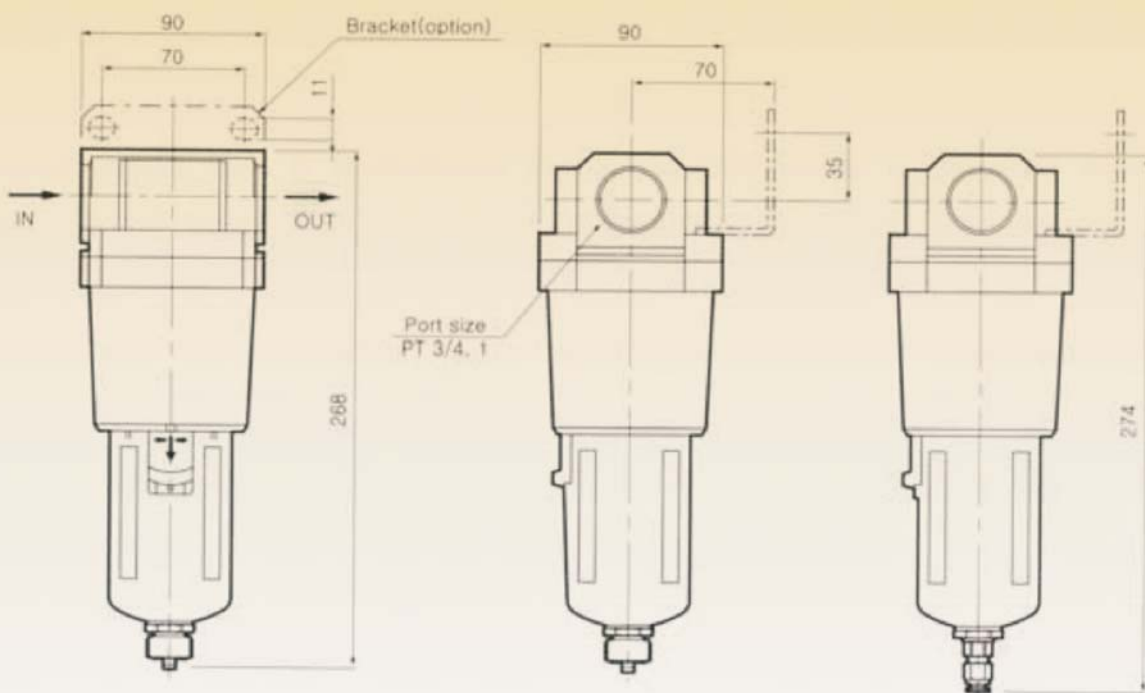
- DIMENSIONS (mm)

EAF 4000-04



With float type auto drain

EAF 6000



With float type auto drain