

# TANAIR

## MODULAR TYPE MIST SEPARATOR (EAFM)

EAFM2000 - 4000 Series



### ● How to order

EAFM 3000 - 03 BD -Me

① Modular type  
Mist separator

② Body Size  
20-1/4  
30-3/8  
40-1/2

③ Port Size  
02-Rc (PT) 1/4"  
03-Rc (PT) 3/8"  
04-Rc (PT) 1/2"

④ Accessory (Optional)  
Nil -Manual Drain  
B -Bracket  
D -Auto Drain

⑤ Option  
Nil -PC Bowl  
Me -PC Bowl

### ● Symbol



### ● Specification

Max. Supply pressure	1.5MPa (15.3kgf/cm <sup>2</sup> )
Max. Operating pressure	1.0MPa (10.2kgf/cm <sup>2</sup> )
Min. Operating pressure	0.05MPa (0.5kgf/cm <sup>2</sup> )
Ambient and media temperature	5-60°C
Filtration	0.3um
Bowl material	Poly-carbonate . Metal

### ● Precautions

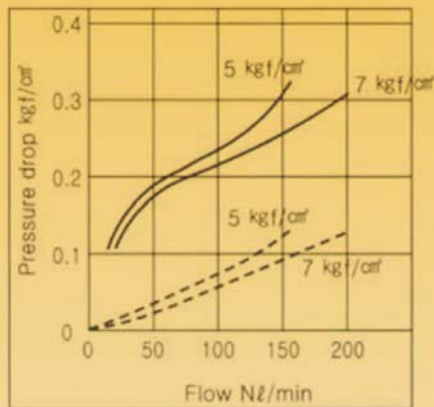
- ① Poly-carbonate bowls may be damaged and highly possible to fail if exposed to synthetic oils, thinner solvents, trichloroethylene, kerosene, chloroform, cyclohexane or other aromatic hydrocarbons and such environment exposed chemicals such as above.
- ② When auto drain is used:  
Drain piping should be both 4mm or greater in diameter and less than 1m in length.  
Also should avoid setting drain piping upwards.
- ③ When auto drain is out of order, it is possible to drain manually by operating one-touch-fitting vertically.
- ④ With a drain cock attached, it can be drained when the head of liquid is shown at the glass indication tube.

# TANAIR

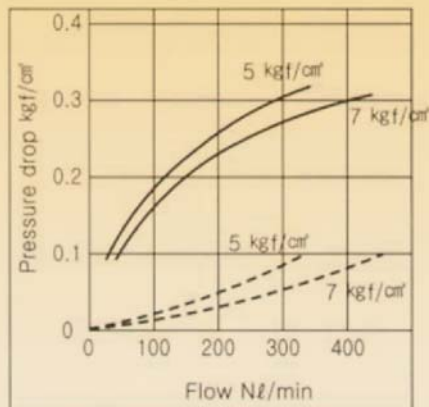
## EAFM Series

### ● FLOW CHARACTERISTICS

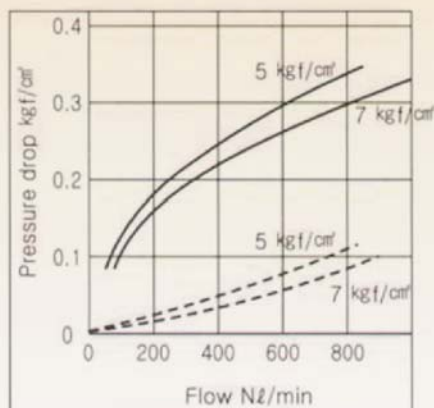
#### EAFM 2000



#### EAFM 3000



#### EAFM 4000

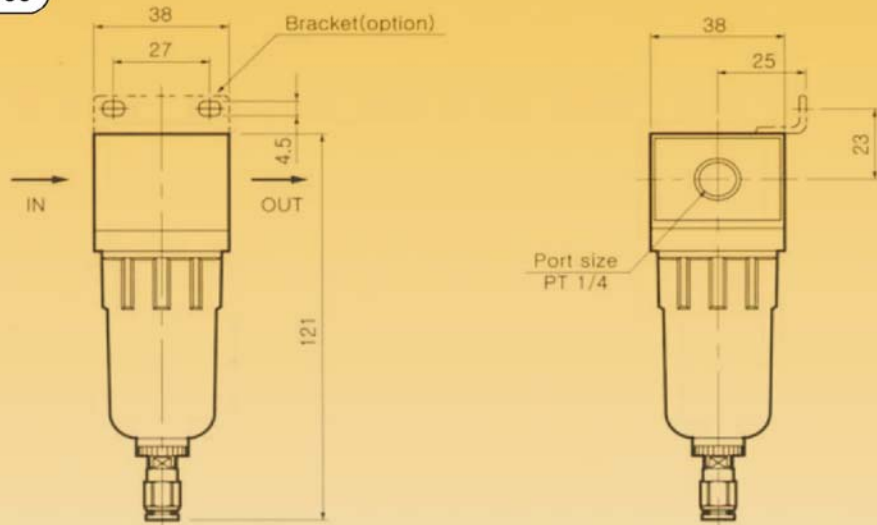


# TANAIR

## EAFM Series

### ● DIMENSIONS (mm)

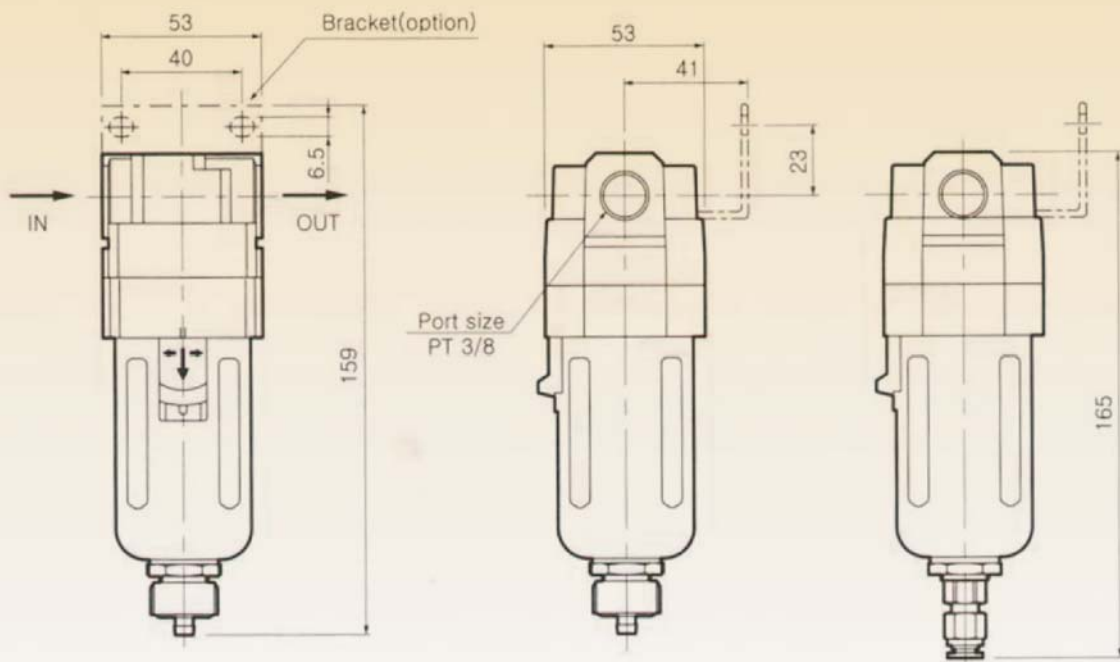
#### EAFM 2000



With differential pressure type auto drain

### ● DIMENSIONS (mm)

#### EAFM 3000

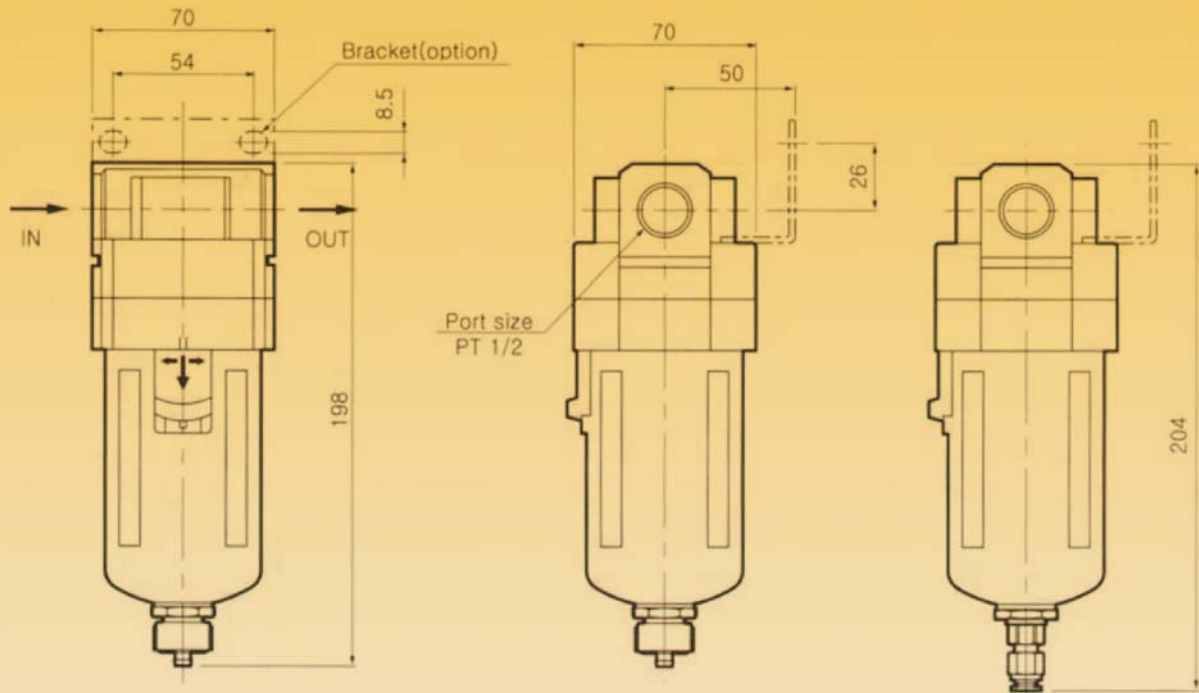


With float type auto drain

# TANAIR

## EAFM Series

EAFM 4000



With float type auto drain

---

---

NOTES: