

# TAN AIR

## LUBRICATOR MODEL (EAL)

EAL2000 - 6000 Series



### ● How to order

EAL 3000 - 03 B -Me

1 Air Lubricator

2 Body Size  
20-1/4  
30-3/8  
40-1/2  
50-1

3 Port Size  
02-Rc (PT) 1/4"  
03-Rc (PT) 3/8"  
04-Rc (PT) 1/2"  
06-Rc (PT) 3/4"  
10-Rc (PT) 1

4 Accessory (Optional)  
B -Bracket

5 Option  
Nil -PC Bowl  
Me -Metal Bowl

### ● Symbol



### ● Specification

Max. Supply pressure	1.5MPa (15.3kgf/cm <sup>2</sup> )
Max. Operating pressure	1.0MPa (10.2kgf/cm <sup>2</sup> )
Min. Operating pressure	0.05MPa (0.5kgf/cm <sup>2</sup> )
Ambient and media temperature	5-60°C
Recommended oil	Turbine oil (ISO VG32)
Bowl material	Poly-carbonate . Metal

### ● Precautions

① Poly-carbonate bowls may be damaged and highly possible to fail if exposed to synthetic oils, thinner solvents, trichloroethylene, kerosene, chloroform, cyclohexane or other aromatic hydrocarbons and such environment exposed chemicals such as above.

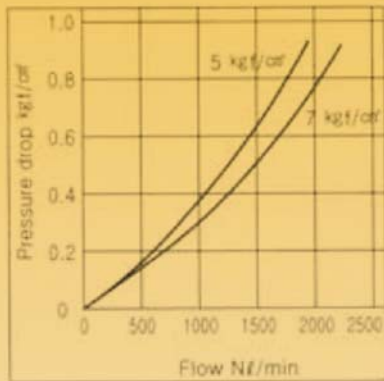
② Use a neutral detergent to wash the bowl.

# TAN AIR

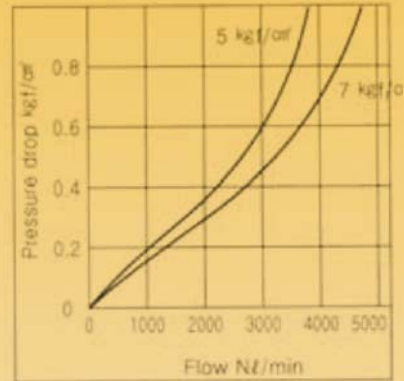
## EAL Series

### ● FLOW CHARACTERISTICS

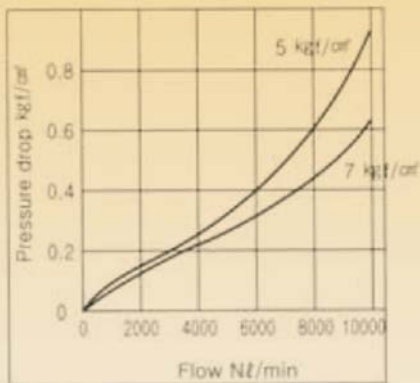
EAL 2000



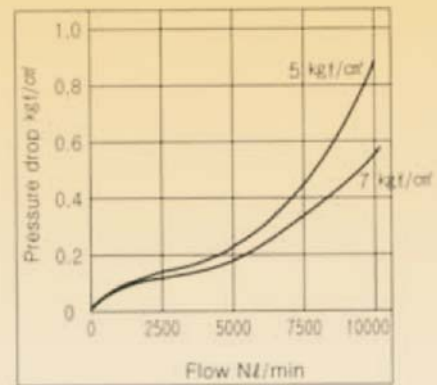
EAL 3000



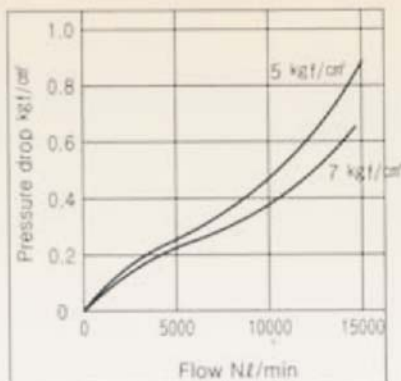
EAL 4000-04



EAL 4000-06



EAL 6000

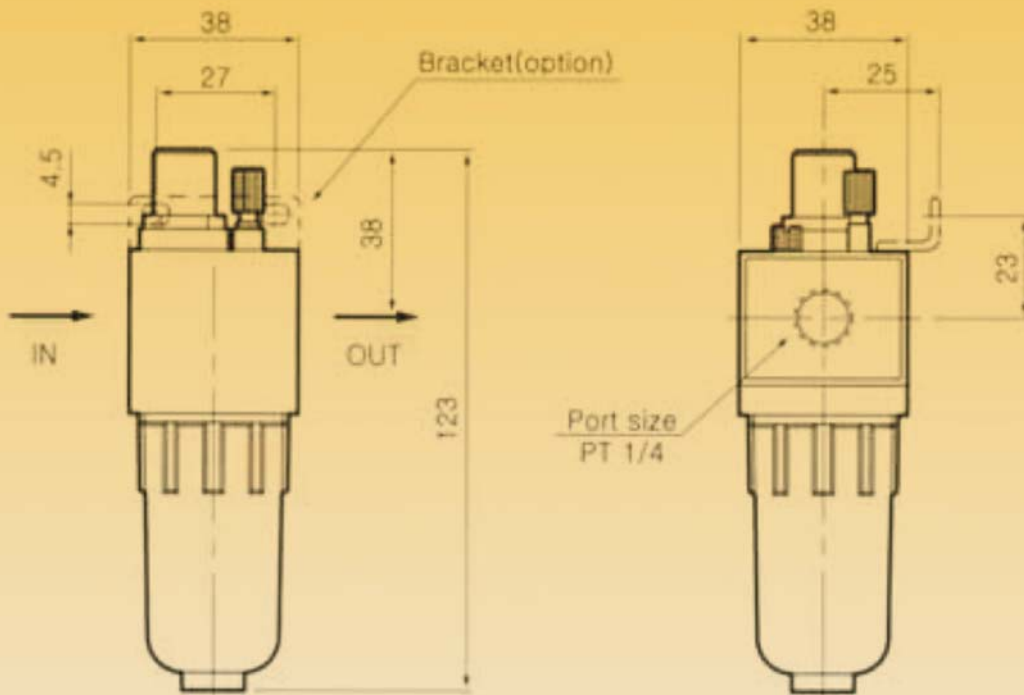


# TANAIR

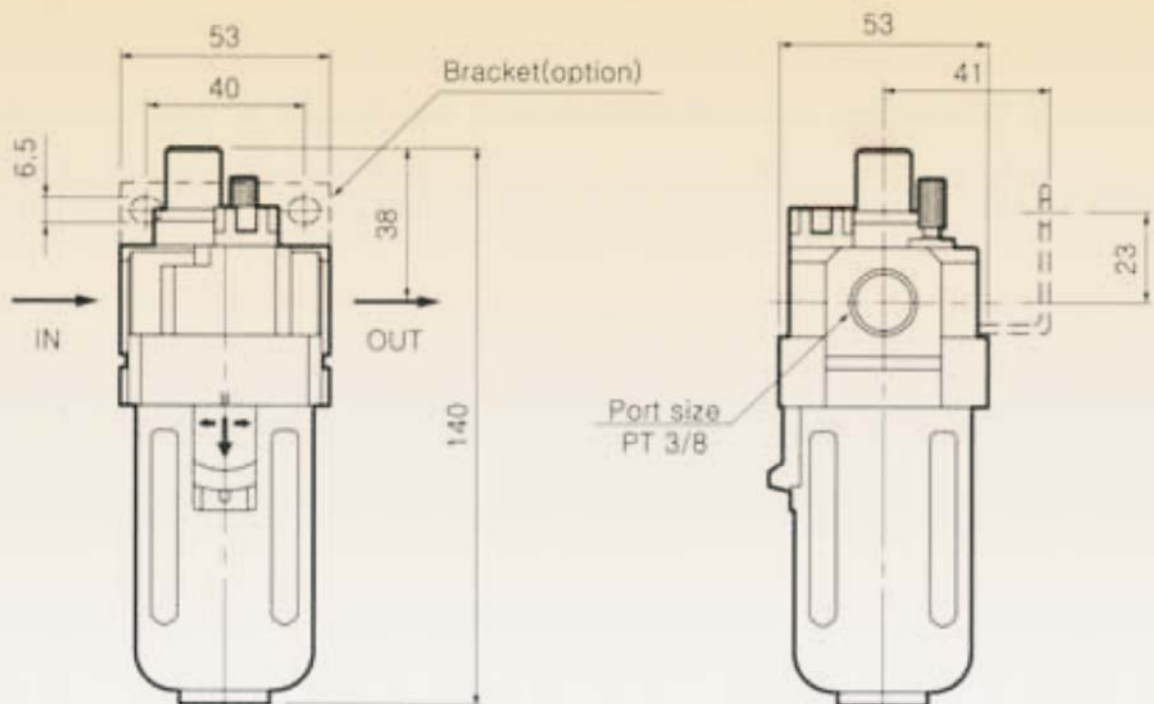
## EAL Series

- DIMENSIONS (mm)

### EAL 2000



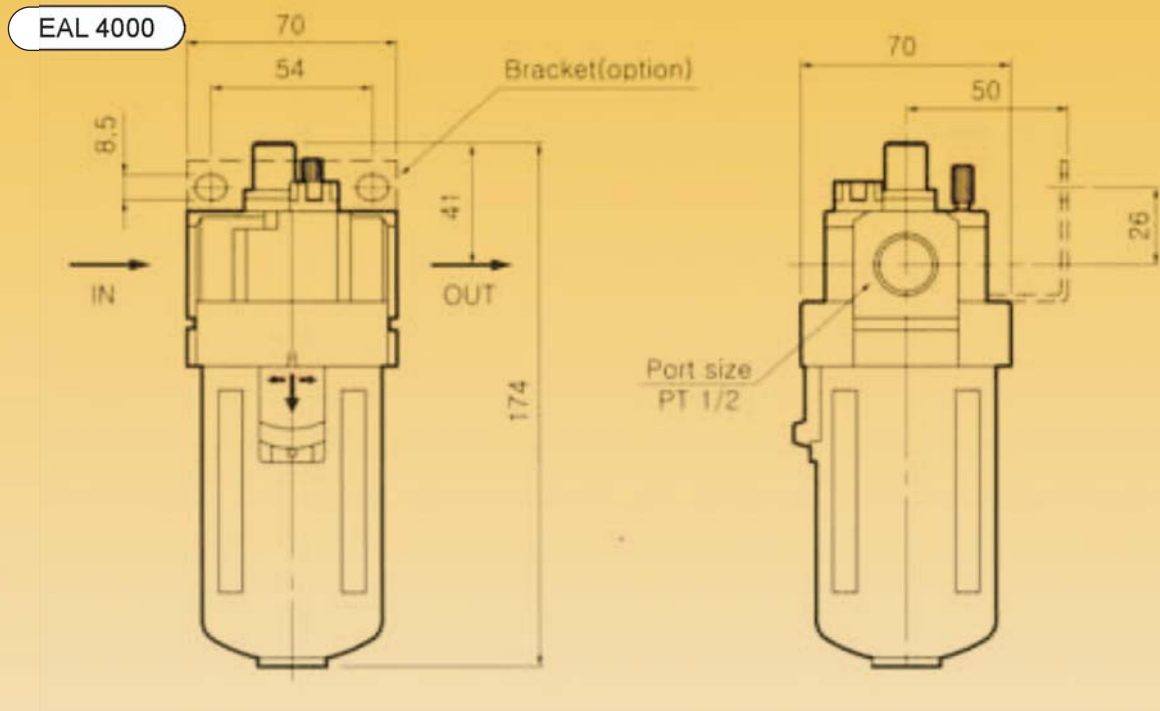
### EAL 3000



# TAN AIR

## EAL Series

- DIMENSIONS (mm)



- DIMENSIONS (mm)

