

# TANAIR

## MICRO MIST SEPARATOR (EAMD)

### EAMD250 - 850 Series

EAMD series separate and remove the oil particles or carbon and dust particles of size 0.01um or greater in the air sol state, According EAMD D series are ideal for filtering the compressed air necessary for precision measuring instruments and clean room.



#### ● How to order

EAMD 350 - 04 BD -Me

1 Micro Mist Separator

2 Body Size  
250-1/4  
350-1/2  
450-3/4  
550-1  
650-1 1/2  
850-2

3 Port Size  
02-Rc (PT) 1/4"  
03-Rc (PT) 3/8"  
04-Rc (PT) 1/2"  
06-Rc (PT) 3/4"  
10-Rc (PT) 1"  
14-Rc (PT) 1 1/2"  
20-Rc (PT) 2"

4 Accessory (Optional)  
Nil -Manual Drain  
B -Bracket  
D -Auto Drain

5 Option  
Nil -PC Bowl  
Me -Metal Bowl

#### ● Symbol



#### ● Specification

Fluid	Compressed air
Max. Operating pressure	1.0MPa (10.2kgf/cm <sup>2</sup> )
Min. Operating pressure	0.05MPa (0.5kgf/cm <sup>2</sup> )
Max. Supply pressure	1.5kPa (15.3kgf/cm <sup>2</sup> )
Ambient and media temperature	0-60°C
Filtration	0.3um (90% possible filtration particle)
Filter regulator	Glass fibre
Life of element	when pressure drop reaches at 0.1Mpa (kgf/cm <sup>2</sup> )

#### ● Precautions

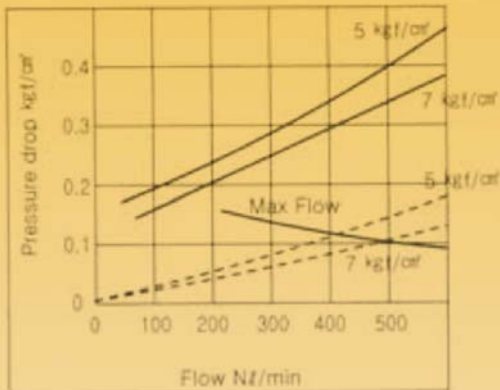
- ① Filter element should be changed after 2 years of using or when pressure drops to 1.0kgf/cm.
- ② When auto drain is used:  
Drain piping should be both 4mm or greater in diameter and less than 1m in length.  
Also should avoid setting drain piping upwards.
- ③ When auto drain is out of order, it is possible to drain manually by operating one-touch-fitting vertically.
- ④ With a drain cock attached, it can be drained when the head of liquid is shown at the glass indication tube.

# TAN AIR

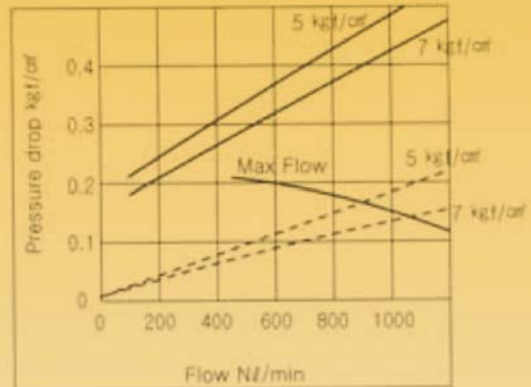
## EAMD Series

### ● FLOW CHARACTERISTICS

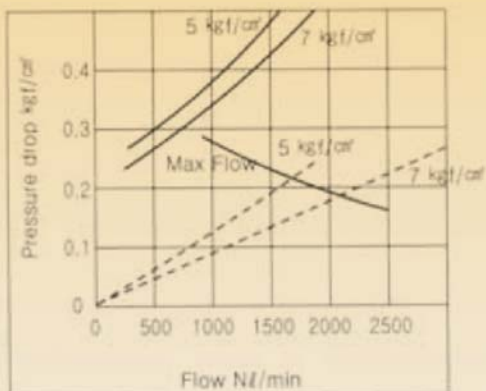
EAMD 250



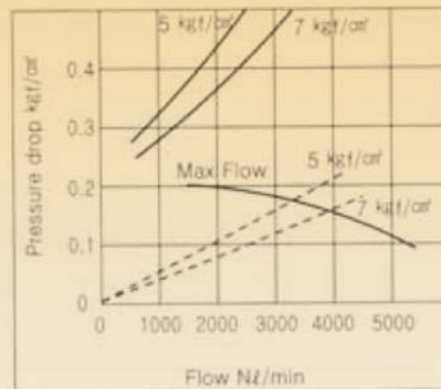
EAMD 350



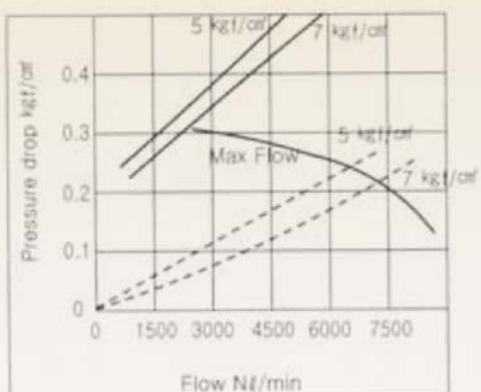
EAMD 450



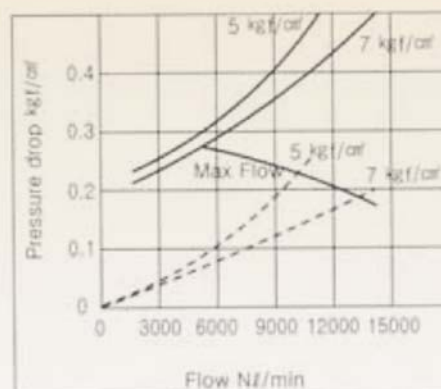
EAMD 550



EAMD 650



EAMD 850

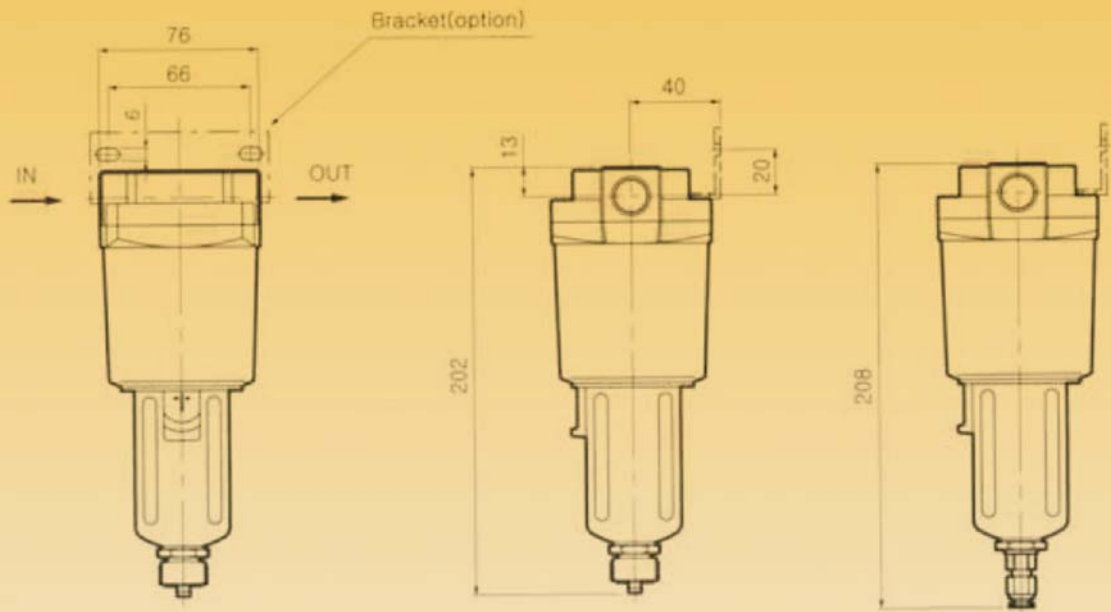


# TANAIR

## EAMD Series

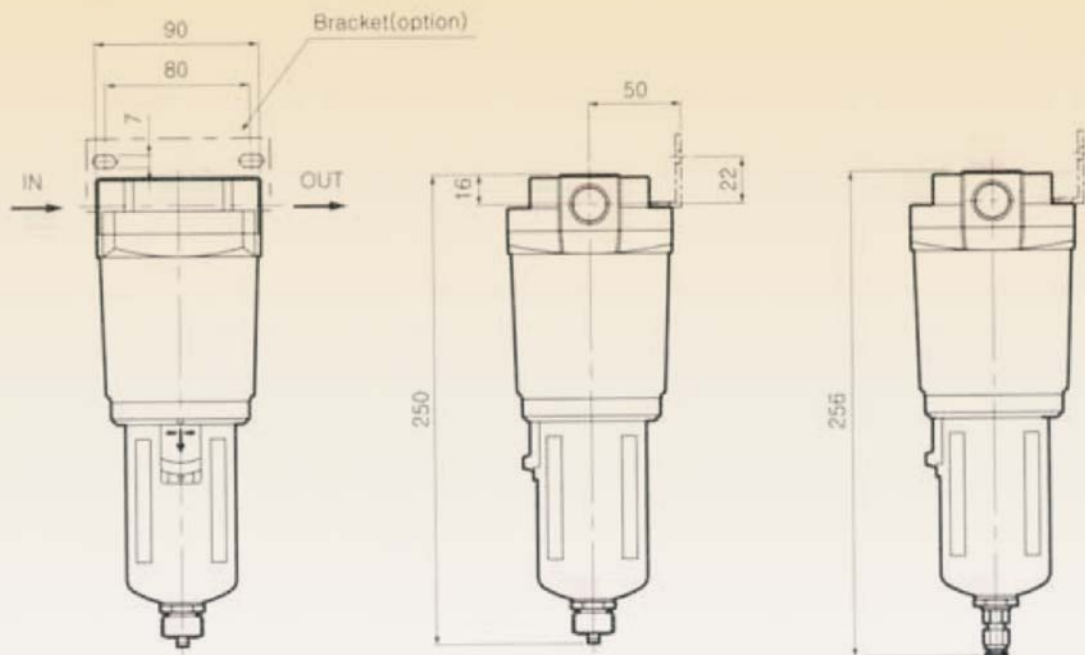
- DIMENSIONS (mm)

### EAMD 250



With float type auto drain

### EAMD 350



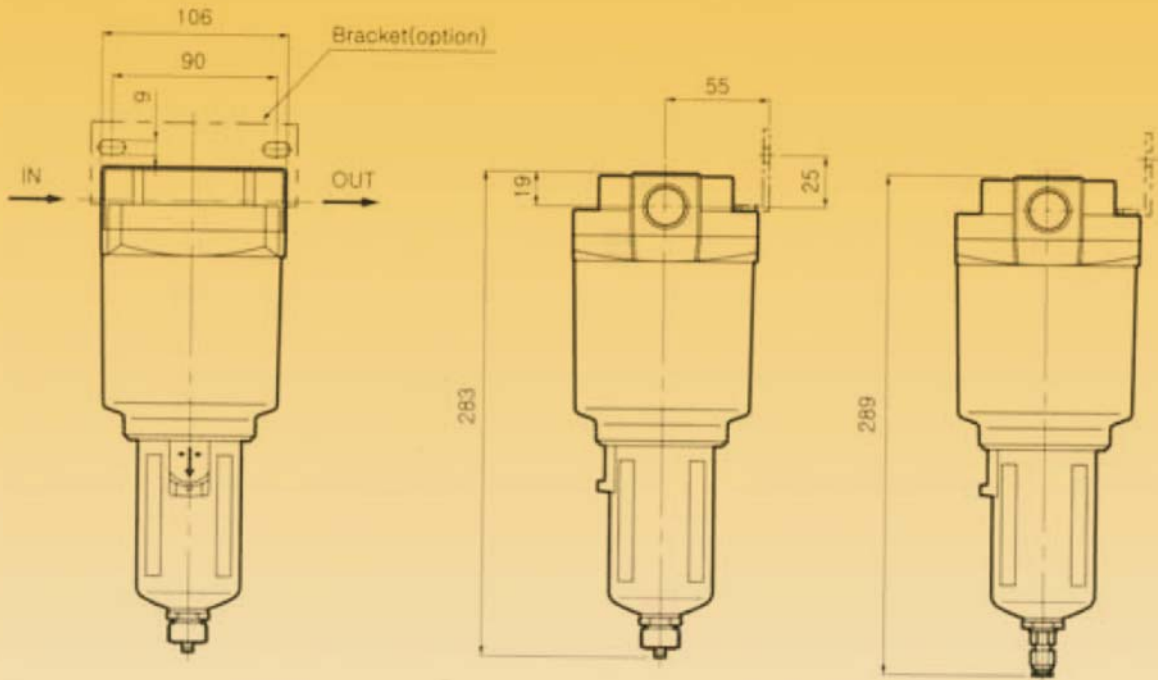
With float type auto drain

# TANAIR

## EAMD Series

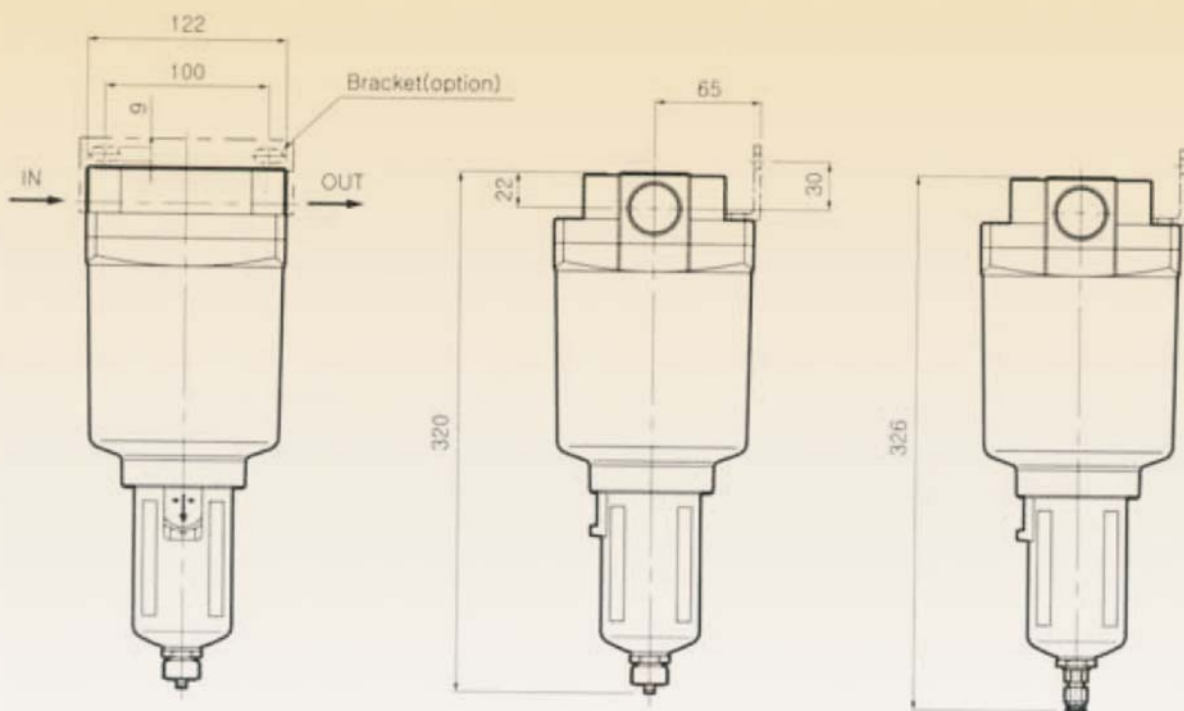
- DIMENSIONS (mm)

### EAMD 450



With float type auto drain

### EAMD 550



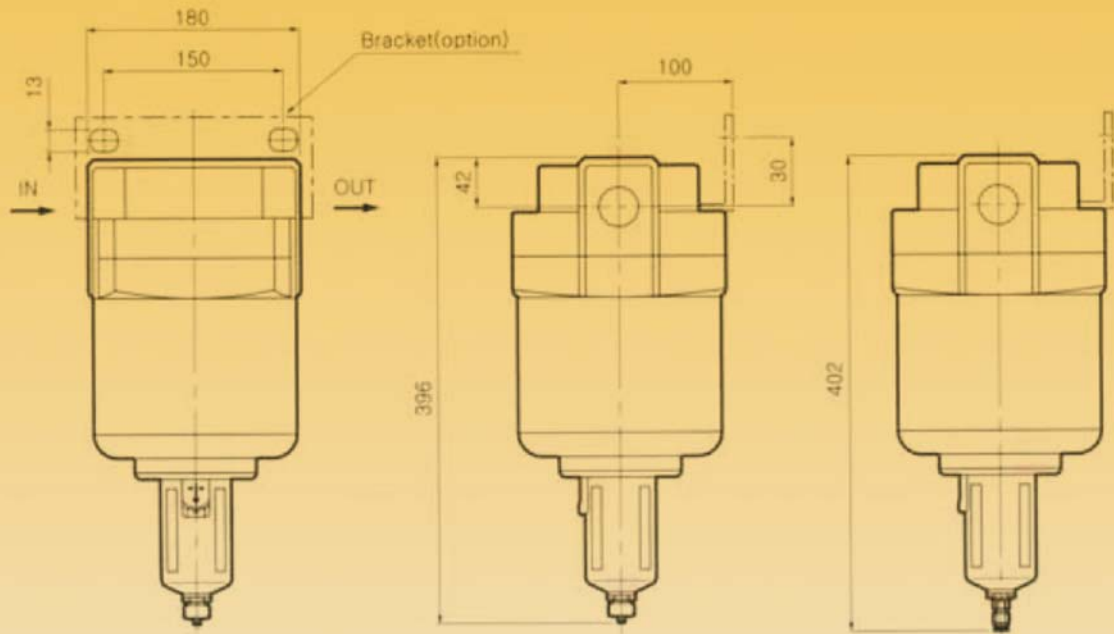
With float type auto drain

# TANAIR

## EAMD Series

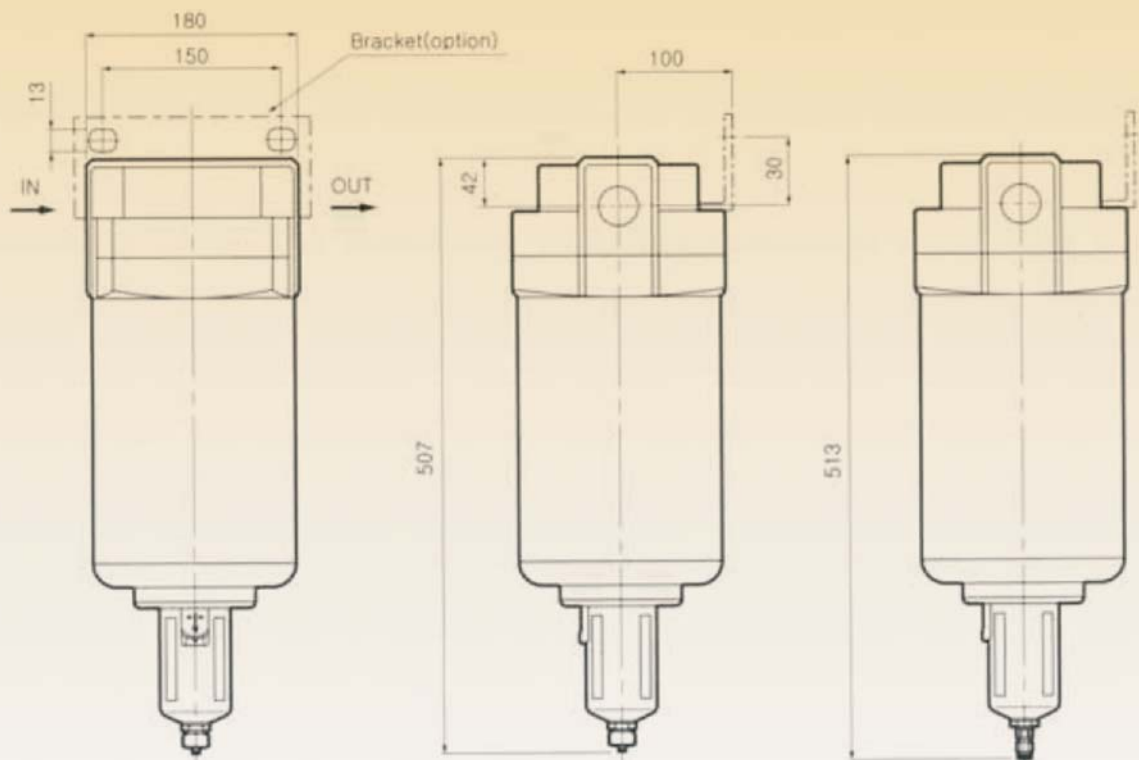
- DIMENSIONS (mm)

### EAMD 650



With float type auto drain

### EAMD 850



With float type auto drain