

# TANAIR

## FREE FILTER MICRO MIST SEPERATOR ( EAMH )

### EAMH250-850 SERIES

EAMH series are a combination of the usual EAM series (0.3um) and EAMD series (0.001um). Therefore EAMH series are compatible to air micro measuring instrument and drying and cleanliness of precision parts.



EAMH650

EAMH450

EAMH250

#### ● How to order

EAMH 350 - 04 BD -Me

① Free Filter Micro Mist Separator

② Body Size  
250-1/4  
350-1/2  
450-3/4  
550-1  
650-1 1/2  
850-2

③ Port Size  
02-Rc (PT) 1/4"  
03-Rc (PT) 3/8"  
04-Rc (PT) 1/2"  
06-Rc (PT) 3/4"  
10-Rc (PT) 1"  
14-Rc (PT) 1 1/2"  
20-Rc (PT) 2"

④ Accessory (Optional)  
Nil -Manual Drain  
B -Bracket  
D -Auto Drain

⑤ Option  
Nil -PC Bowl  
Me -PC Bowl

#### ● Symbol



#### ● Specification

Fluid	Compressed air
Max. Operating pressure	1.0MPa (10.2kgf/cm <sup>2</sup> )
Min. Operating pressure	0.05MPa (0.5kgf/cm <sup>2</sup> )
Max. Supply pressure	1.5kPa (15.3kgf/cm <sup>2</sup> )
Ambient and media temperature	5-60°C
Filtration	0.1um (90% possible filtration particle)
Secondary oil mist concentration	Max 0.1mgf/m <sup>2</sup>
Filter regulator	Glass fibre
Life of element	when pressure drop reaches at 0.1Mpa (kgf/cm <sup>2</sup> )

#### ● Precautions

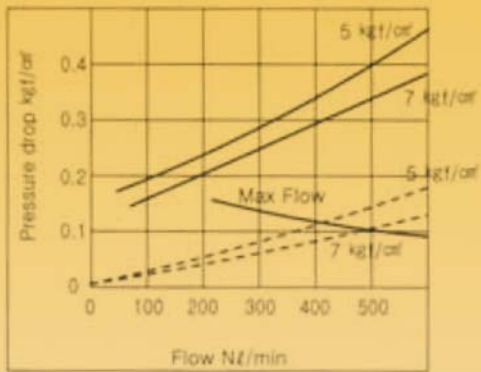
- ① Filter element should be changed after 2 years of using or when pressure drops to 1.0kgf/cm.
- ② When auto drain is used:  
Drain piping should be both 4mm or greater in diameter and less than 1m in length.  
Also should avoid setting drain piping upwards.
- ③ When auto drain is out of order, it is possible to drain manually by operating one-touch-fitting vertically.
- ④ With a drain cock attached, it can be drained when the head of liquid is shown at the glass indication tube.

# TANAIR

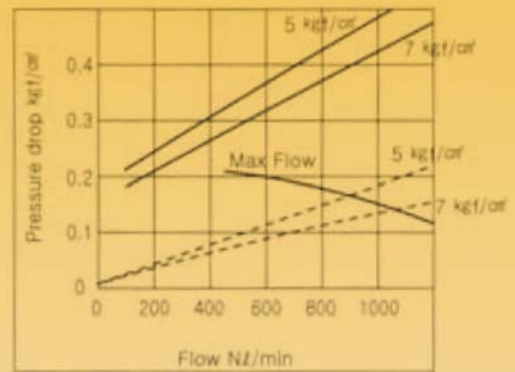
## EAMH Series

### ● FLOW CHARACTERISTICS

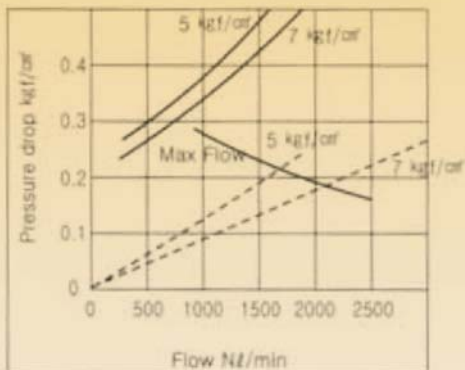
EAMH 250



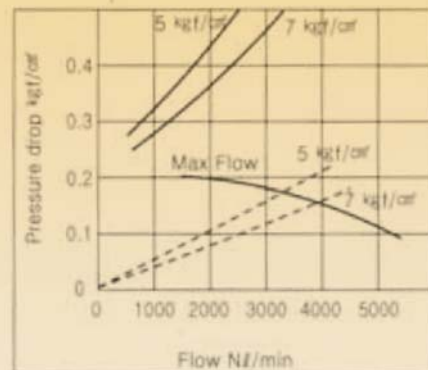
EAMH 350



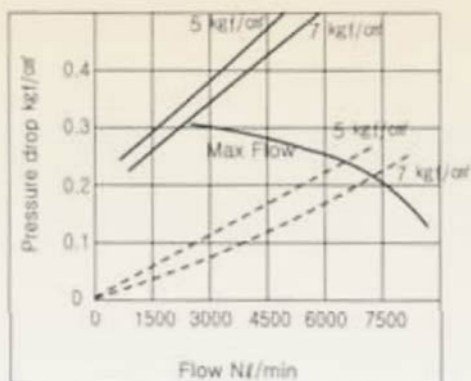
EAMH 450



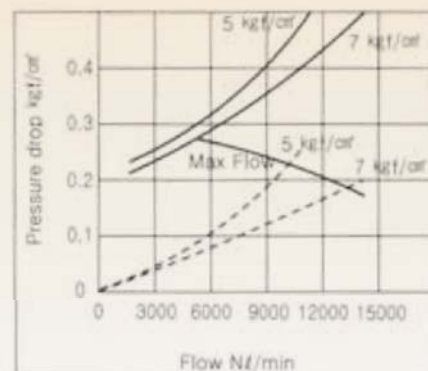
EAMH 550



EAMH 650



EAMH 850

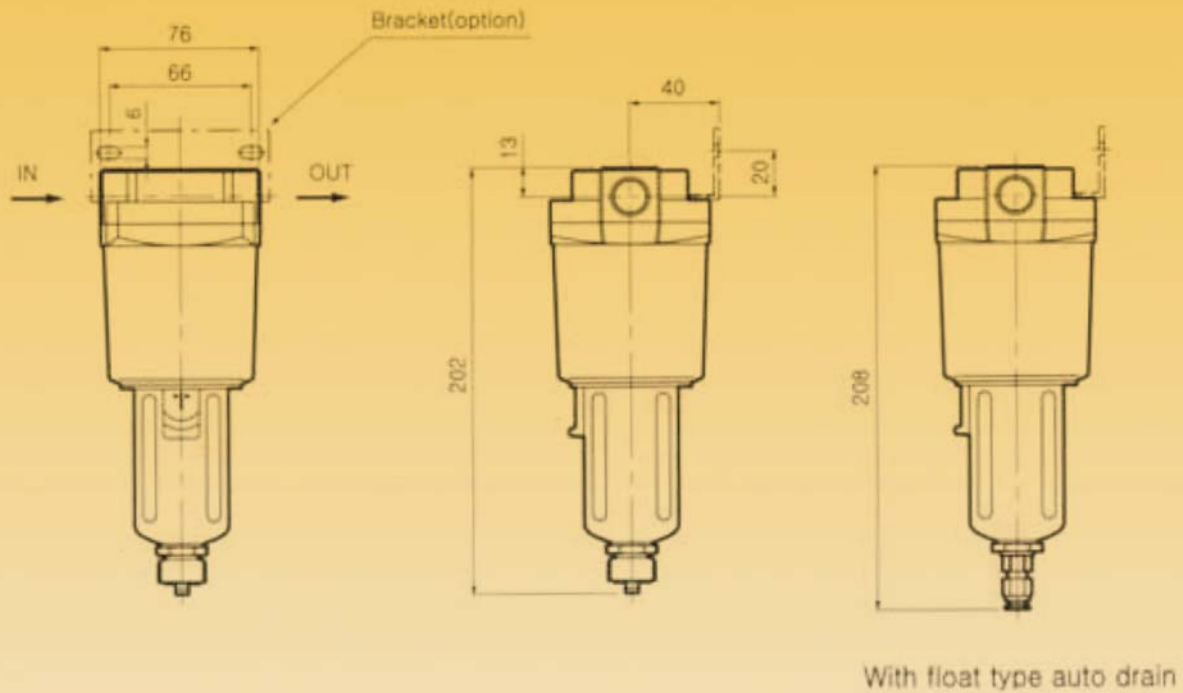


# TANAIR

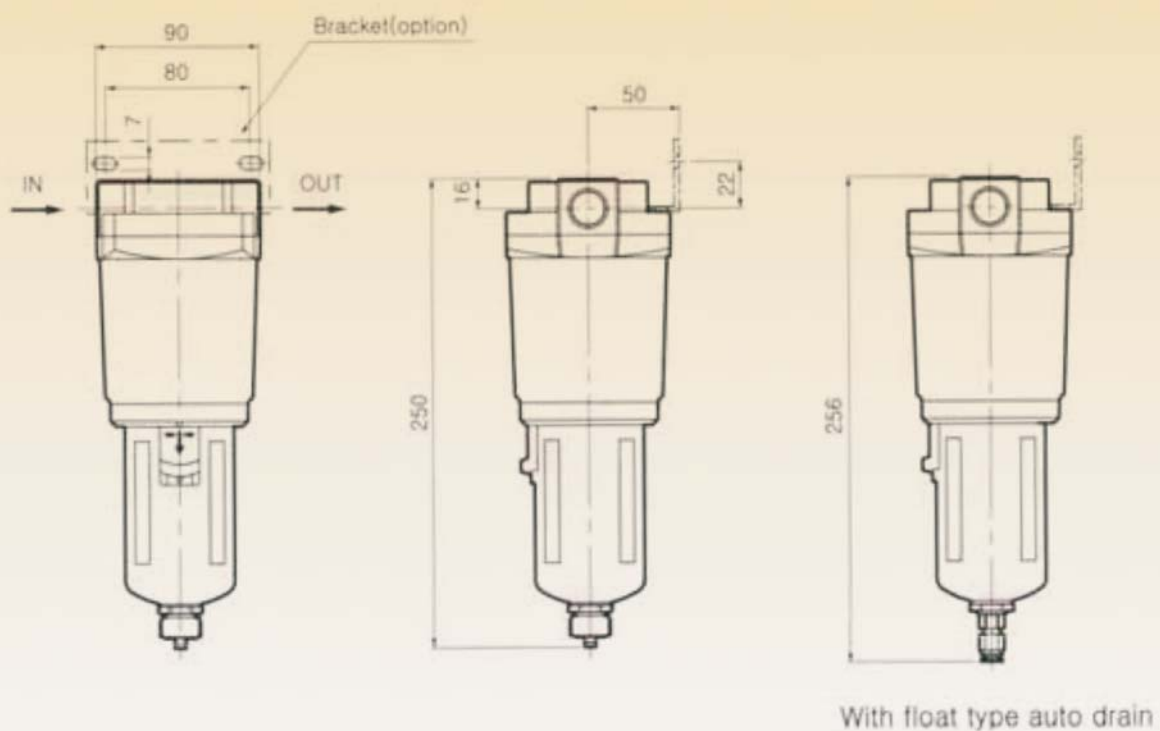
## EAMH Series

- DIMENSIONS (mm)

### EAMH 250



### EAMH 350

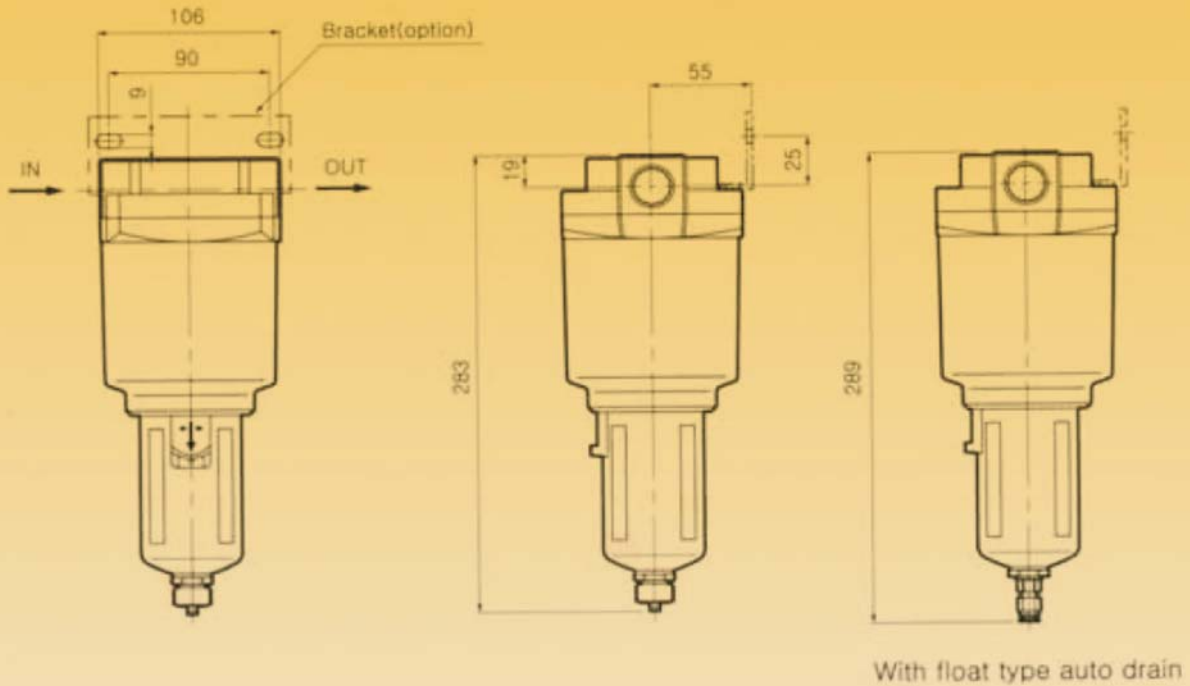


# TANAIR

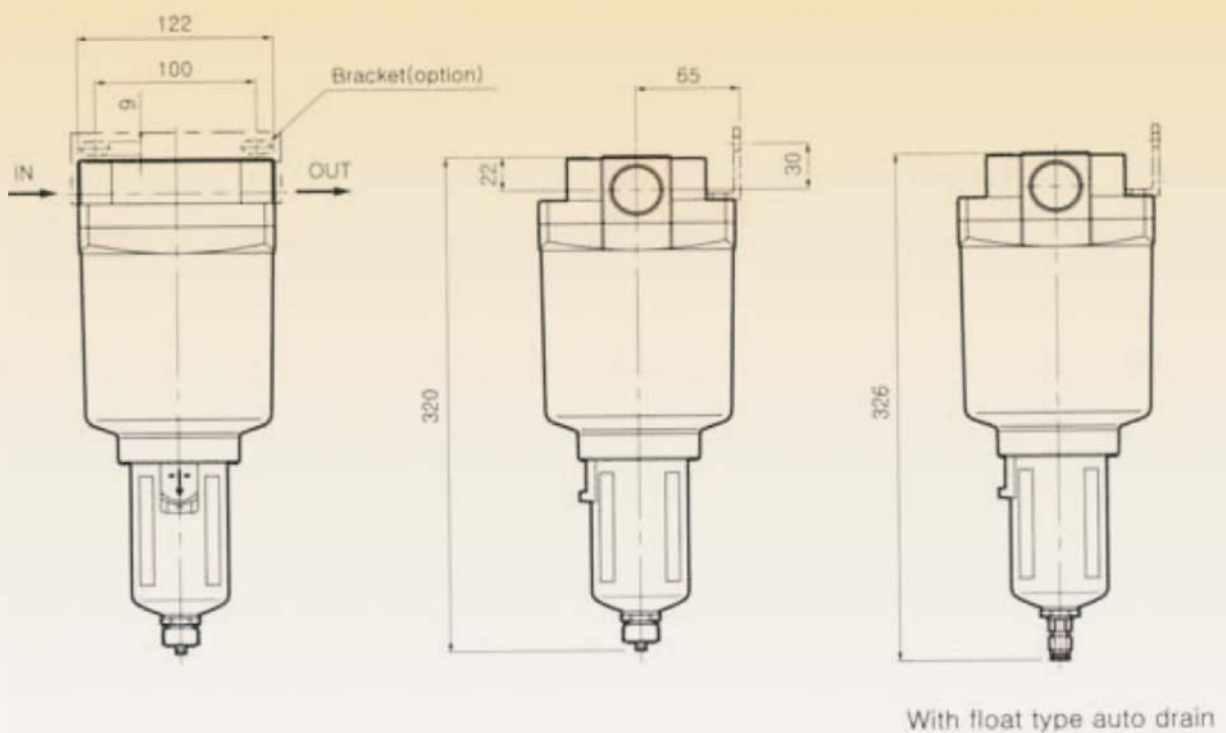
## EAMH Series

- DIMENSIONS (mm)

### EAMH 450



### EAMH 550

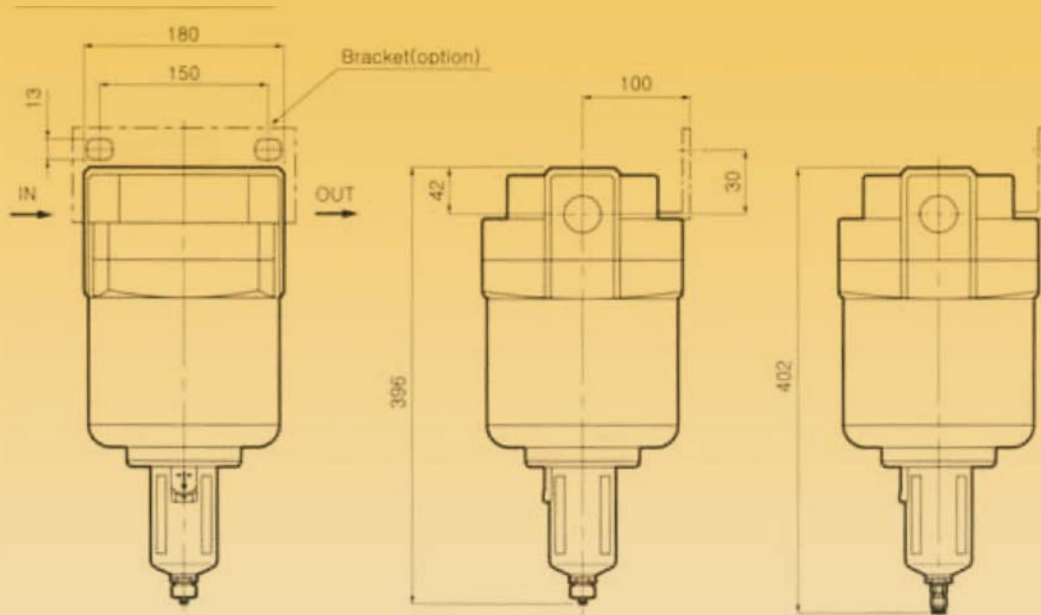


# TANAIR

## EAMH Series

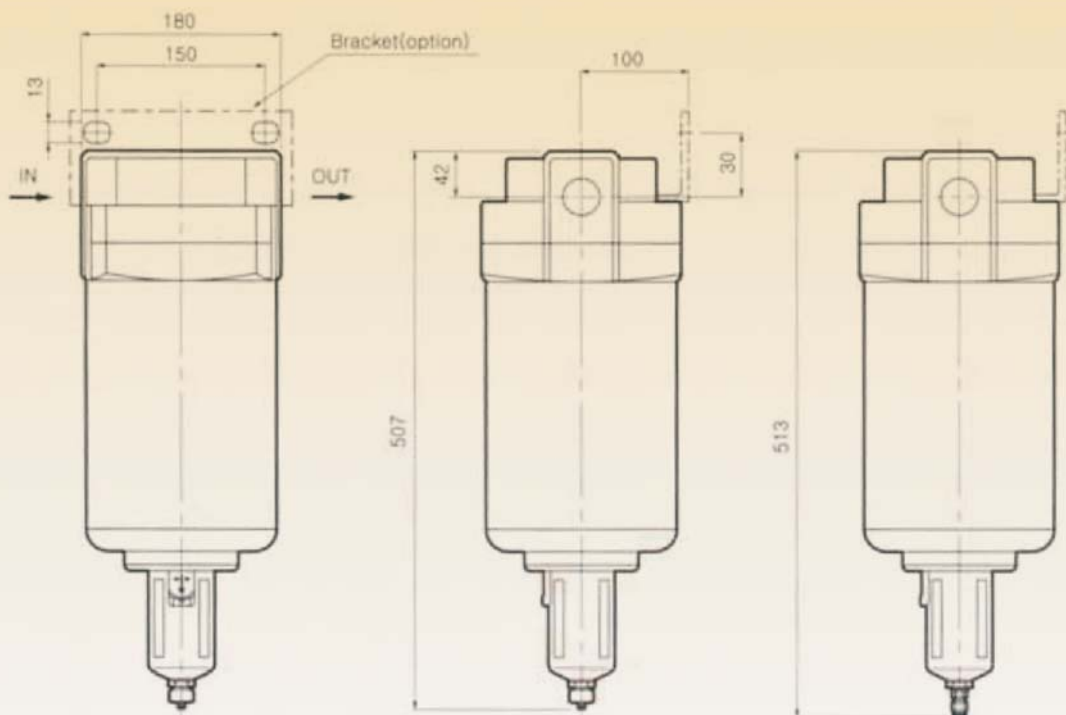
- DIMENSIONS (mm)

### EAMH 650



With float type auto drain

### EAMH 850



With float type auto drain