

TANAIR

MODULAR TYPE REGULATOR (EAR)

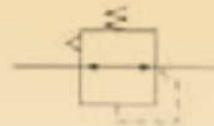
EAR2000 - 6000 Series



● How to order

	EAR	3000	- 03	BG
①	Regulator			
②	Body Size			
	20-1/4			
	30-3/8			
	40-1/2			
	60-1			
③	Body Type			
	T-T-type handle			
④	Port Size			
	02-Rc (PT) 1/4"			
	03-Rc (PT) 3/8"			
	04-Rc (PT) 1/2"			
	06-Rc (PT) 3/4"			
	10-Rc (PT) 1"			
⑤	Accessory (Optional)			
	B -Bracket			
	G -Gauge			

● Symbol



● Specification

Max. Supply pressure	1.5MPa (15.3kgf/cm ²)
Max. Operating pressure	0.97MPa (9.9kgf/cm ²)
Regulating range	50-850kPa (0.5-8.7kgf/cm ²)
Ambient and media temperature	5-60°C
Port size for Gauge Rc(PT)	-/8 - 1/4
Construction	Relief type

● Precautions

- ① To unlock the handle, pull it until the orange marked underneath it shows and then push the regulating handle again to lock after setting pressure.
- ② When regulating pressure, turning the handle to the right raises the pressure of secondary side. Turning in the opposite (left) direction drops the pressure.
- ③ Regulating pressure range of the secondary side is less than 85 % of the first side.

TANAIR

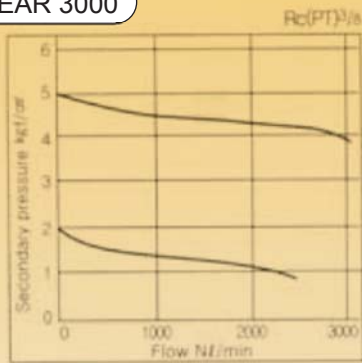
EAR Series

● FLOW CHARACTERISTICS

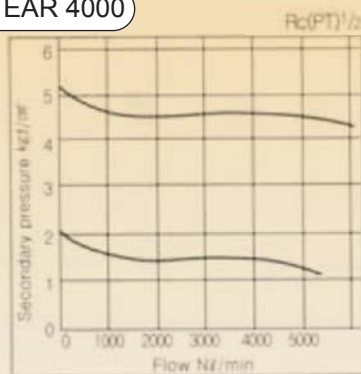
EAR 2000



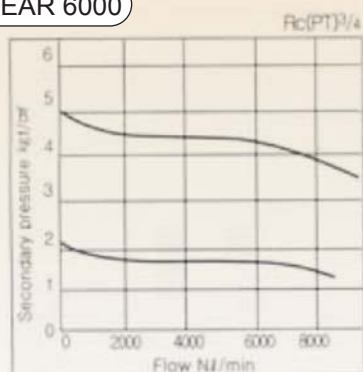
EAR 3000



EAR 4000

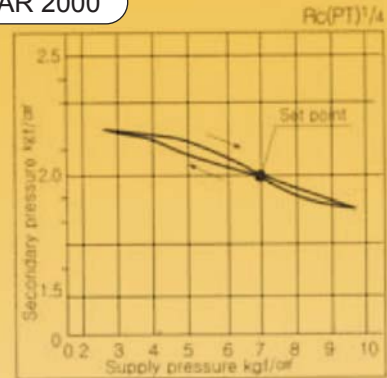


EAR 6000

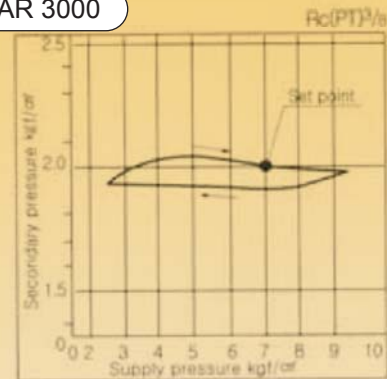


● PRESSURE CHARACTERISTICS

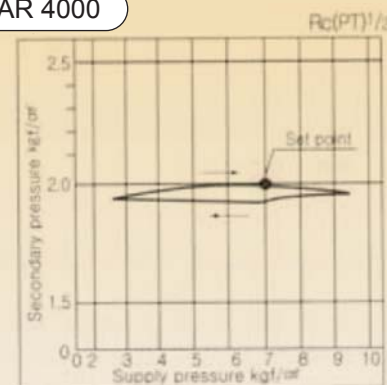
EAR 2000



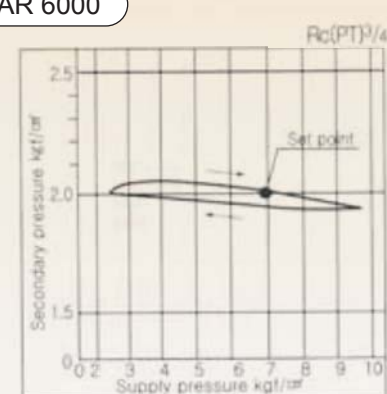
EAR 3000



EAR 4000



EAR 6000

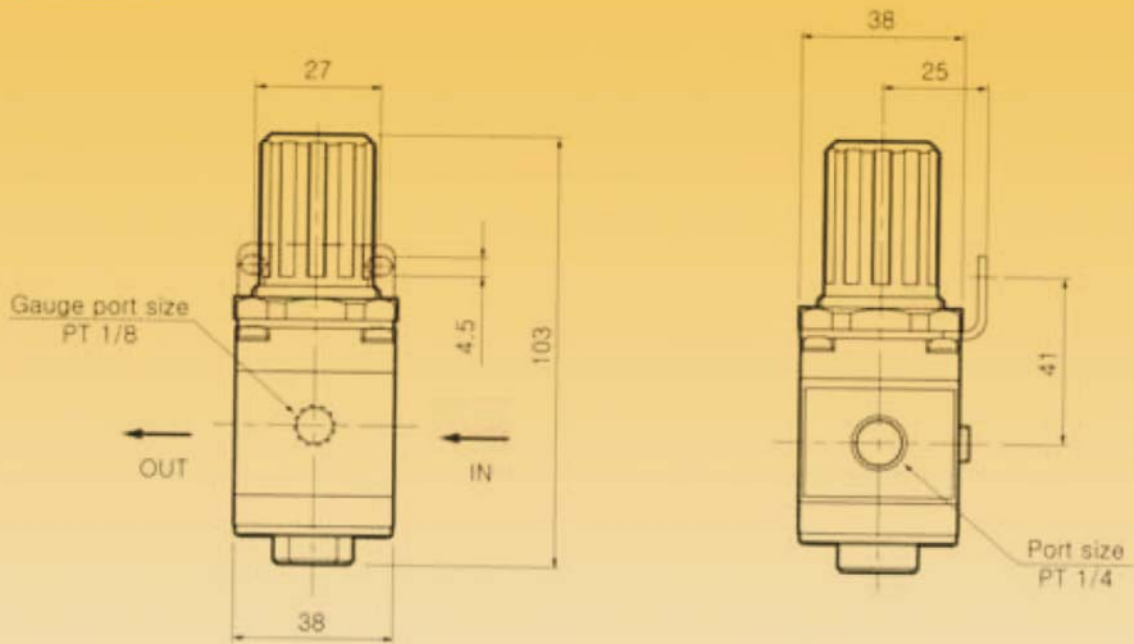


TANAIR

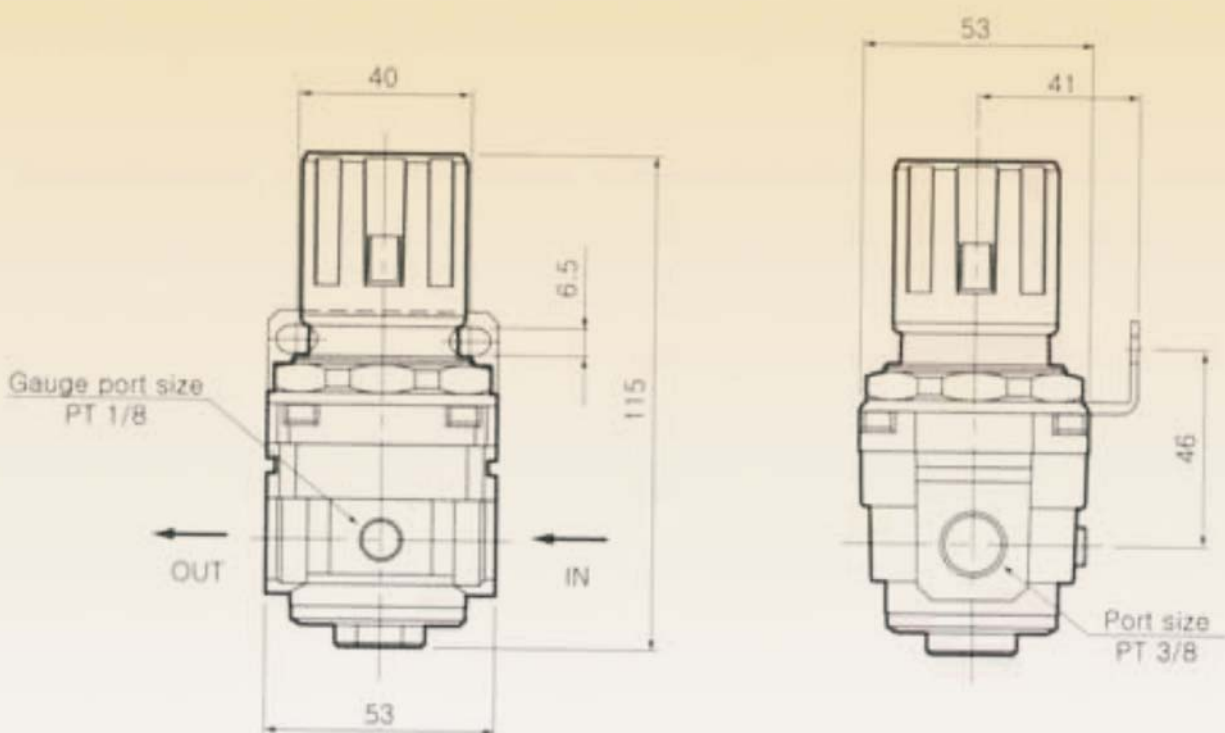
EAR Series

- DIMENSIONS (mm)

EAR 2000



EAR 3000

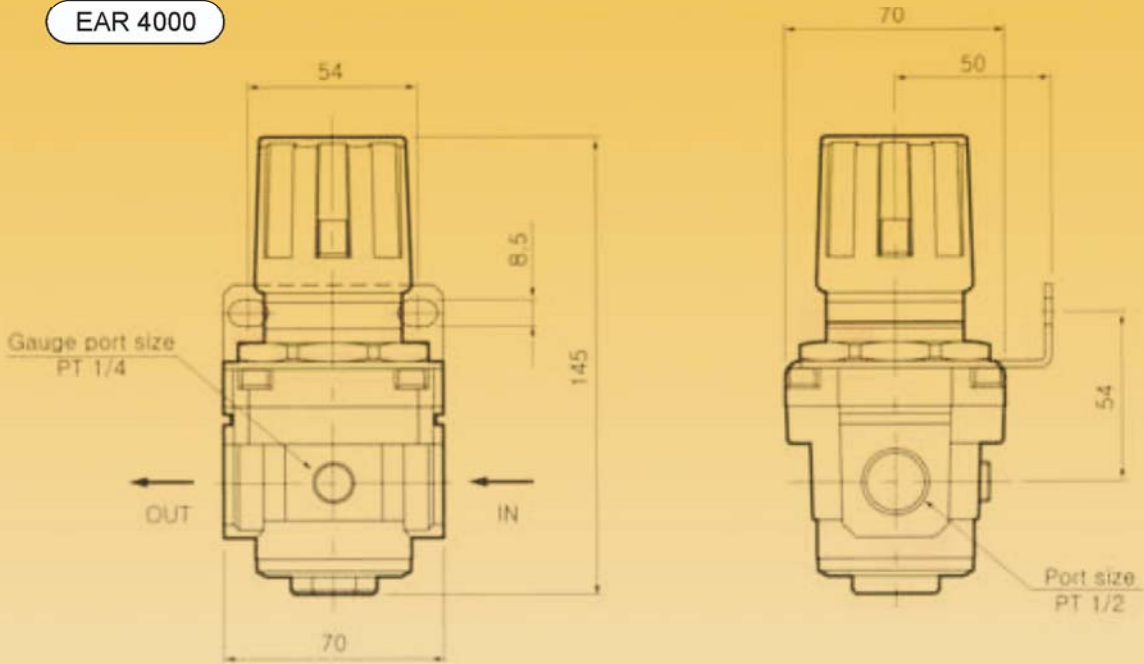


TANAIR

EAR Series

- DIMENSIONS (mm)

EAR 4000



- DIMENSIONS (mm)

EAR 6000

