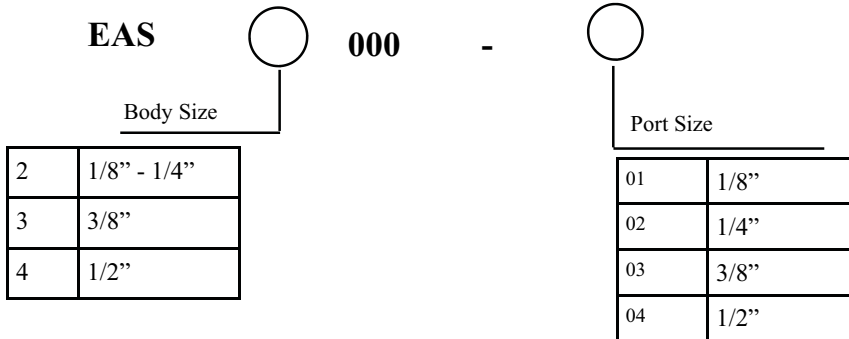


# TANAIR PNEUMATICS

## EAS2000-4000 THREADED FLOW CONTROL VALVE

### HOW TO ORDER



Symbol

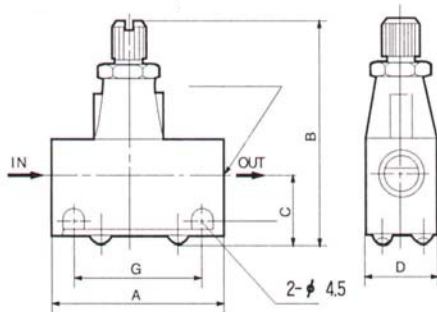


- Compact size saves space.
- Speed may be accurately controlled even at low speed.
- Constant speed easily set.
- Retaining prevents accidental loss of needle.

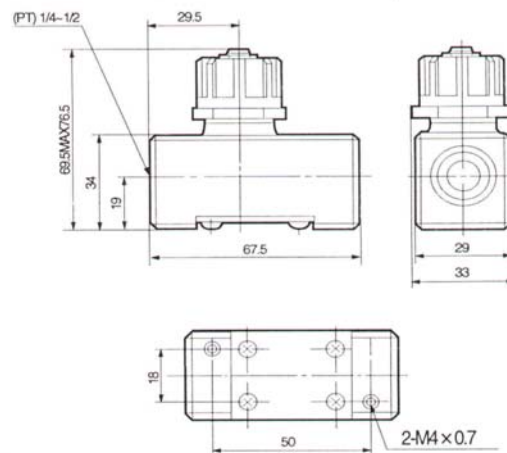
### Specifications

Proof pressure	15kgf/cm <sup>2</sup> {1,500kPa}
Max. operating pressure	9.9kgf/cm <sup>2</sup> {990kPa}
Min. operating pressure	0.5kgf/cm <sup>2</sup> {50kPa}
Ambient and fluid temperature	5~60℃
Number of needle rotations	8 turns

EAS2000



EAS4000



TYPE	SIZE	A	B	C	D	G	중량 (g)
EAS2000-01	Rc(PT)1/8	40	51	15	16	30	90
EAS2000-02	Rc(PT)1/4	40	53	17	20	30	118