

TANA/R PNEUMATICS

REEDSWITCH D-A73KL TO SUIT TPCDQ2 & TPMGQ

AUTO SWITCH TYPE / GROMMET TYPE SERIES D-A73KL

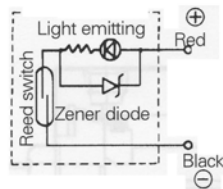
AUTO SWITCH SPECIFICATIONS



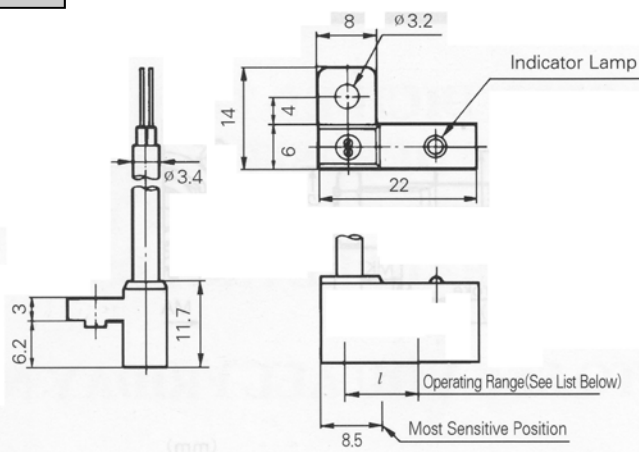
| | | |
|--|-----------------------------|--------|
| Auto Switch Model | W4 | |
| Application | Relay, Sequence Control | |
| Voltage | DC24V | AC110V |
| Range of Load Current | 5~40mA | 5~20mA |
| Protection Circuit for Contact Breaker Point | None | |
| Internal Voltage Drop | 2.4V or less | |
| Indicator Lamp | ON:Red light emitting diode | |

- Leakage current - None
 - Response time - 1.2 ms
 - Lead Wire - Oil proof vinyl. $\phi 3.4$, 0.2mm², 2 wire(red, black), 0.5 m
 - Impact Resistance - 30G
 - Insulation Resistance - 50M Ω or more under the test voltage 500VDC (Between case and cable)
 - Withstand Voltage - 1500VAC 1min(between case and cable)
 - Ambient Temperature - 5~60° F(5~60° C)
 - Protection Structure - IEC spec IP67, Water-proof(JISCO920), oil-proof.
- * If 3m lead wire is required, L is put at end of model numbers.
(Example) W4L

AUTO SWITCH / INTERNAL CIRCUIT



AUTO SWITCH DIMENSIONS



OPERATING RANGE (/ DIMENSIONS)

| Series | Bore Size (mm) | | | | | | | | | |
|---------|----------------|-----------|-----------|-----------|-----------|-----------|-----------|-----------|-----------|------------|
| | $\phi 12$ | $\phi 16$ | $\phi 20$ | $\phi 25$ | $\phi 32$ | $\phi 40$ | $\phi 50$ | $\phi 63$ | $\phi 80$ | $\phi 100$ |
| D-A73KL | 10 | 8 | 9 | 9 | 11 | 11 | 10 | 12 | 12 | 13 |