

# TANAIR PNEUMATICS

## REEDSWITCH D-C73KL TO SUIT TPCM, TPCM2, TPCM2G, TPCG2, TPCM2E, TCJ & EPISO

### REED SWITCH TYPE / BAND MOUNTED TYPE SERIES D-C73KL

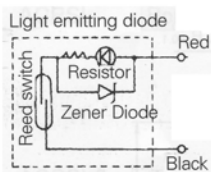
#### SPECIFICATIONS W5 TYPE ( WITH INDICATOR LAMP )



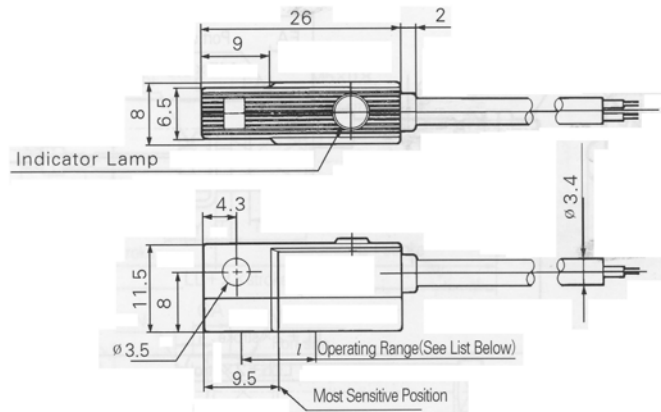
Auto Switch Model	W5	
Application	Relay, Sequence Control	
Load Voltage	DC24V	AC110V
Max. Load Current/Range of Load Current	5~40mA	5~20mA
Protection Circuit for Contact Breaker Point	None	
Internal Voltage Drop	2.4V or less	
Indicator Lamp	ON:Red light emitting diode	

- Leakage Current – None
  - Response Time – 1.2ms
  - Lead Wire – Oil proof vinyl,  $\phi$  3.4 0.2mm $\phi$ , 2 Wire(red, black), 0.5m(18in)
  - Impact Resistance– 30G
  - Insulation Resistance – 50M $\Omega$  or more under the test voltage 500VDC (Between case and cable)
  - Withstand Voltage – 1500VAC 1min (between case and cable)
  - Ambient Temperature – -10~60 $^{\circ}$ C
  - Protection Structure – IEC spec IP67, Water-proof(JISCO920), oil-proof.
- ※ If 3m lead wire is required, L is put at the end of numbers.  
Example : W5L

#### AUTO SWITCH / INTERNAL CIRCUIT



#### AUTO SWITCH DIMENSIONS



#### OPERATING RANGE ( / DIMENSIONS )

Operating Range( / Dimension) (mm)

Series	Bore size		
	$\phi$ 6	$\phi$ 10	$\phi$ 16
D-C73KL	6	7	7