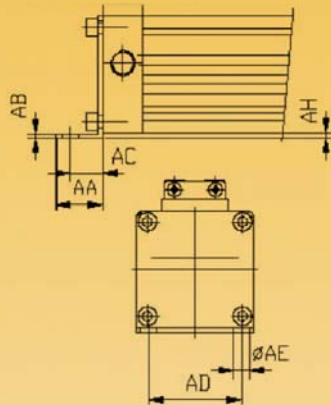


TANAIR

RODLESS CYLINDER NON STANDARD DIMMENSIONS & OPTIONS

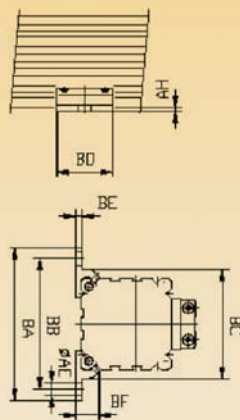
- FB-MOUNTING BRACKETS
- DIMENSION



Symbol bore size	AA	AB	AC	AD	AE	AH	Order code
$\phi 18$	15	2	10	20	$\phi 6$	2	1182-0001
$\phi 25$	18	2	12.5	30	$\phi 6$	2	1252-0001
$\phi 32$	20	2.5	13.5	40	$\phi 7$	3	1322-0001
$\phi 40$	25	2.5	17.5	50	$\phi 9$	3	1402-0001
$\phi 50$	28	3	20	60	$\phi 9$	3	1502-0001
$\phi 63$	30	3	21	75	$\phi 11$	4.5	1632-0001

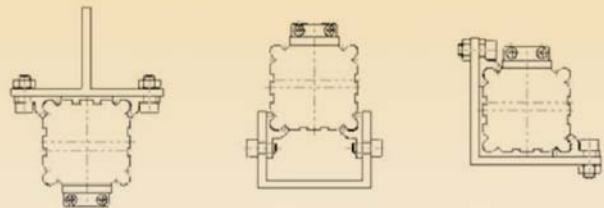
The order code given includes 2 mounting brackets and 8 screws.

- MB-MIDDLE SUPPORT
- DIMENSION



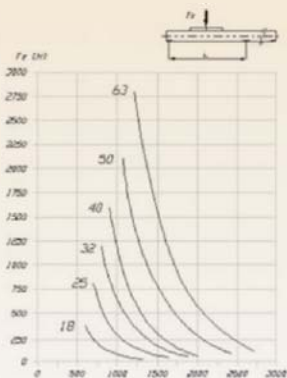
Symbol bore size	AA	AH	BA	BB	BC	BD	BE	BF	Order code
$\phi 18$	$\phi 6$	2	56	46	36.5	23	2.5	8.25	1182-0001
$\phi 25$	$\phi 6$	2	70	60	50	28	3.5	11	1252-0001
$\phi 32$	$\phi 7$	3	85	73	61.5	33	4	13.8	1322-0001
$\phi 40$	$\phi 9$	3	105	90	75	38	4.5	16	1402-0001
$\phi 50$	$\phi 9$	3	122	106	91	43	5	19	1502-0001
$\phi 63$	$\phi 11$	4.5	144	125	107	48	6	22	1633-0001

The order code given includes 2 mounting brackets and 8 screws.



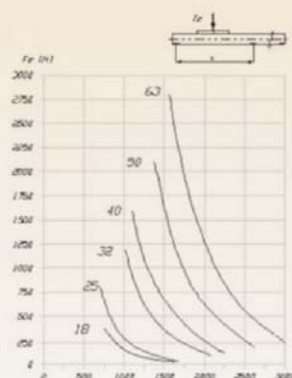
● DEFLECTION DIAGRAM

Fz at deflection of 0.5mm



Distance L (mm)

Fz at deflection of 1mm



Distance L (mm)

When using very long cylinders of applying heavy loads, the tube deflection is to be taken into consideration.

One or more middle supports are to be used according to the admissible deflection.

Example:

a cylinder $\phi 25$ should deflect by a maximum of 0.5mm when applying a force Fz of 500N. According to the diagram must have a middle support.

Other possibilities

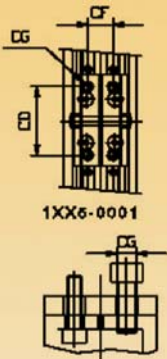
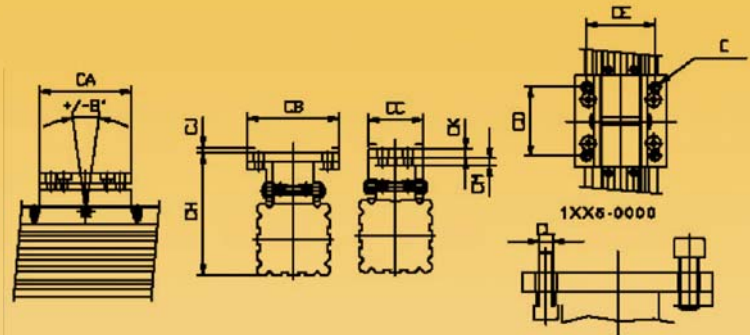
in case very long cylinders are installed without supports, an additional profile can be used as a support.

Examples: all versions with middle support and standard profiles.

TANAIR

RODLESS CYLINDER NON STANDARD DIMMENSIONS & OPTIONS

- PB-SWING BRIDGE
- DIMENSION



Symbol Bore size	CA	CB	CC	CD	CE	CF	CG	CH	CJ	CK	CM	CL	Order code	
φ 18	50	41.5	25.5	30	34	9	M5	54	2.5	4	4	M4	1185-0000	1185-0001
φ 25	60	50	30	40	38	14	M5	70	3	4	4	M4	1255-0000	1255-0001
φ 32	70	60	37	55	48	16	M6	86	3.5	6	6	M5	1325-0000	1325-0001
φ 40	80	80	47	60	60	22	M8	107	4.5	8	8	M6	1405-0000	1405-0001
φ 50	90	95	56	70	70	30	M8	123	4.5	8	8	M6	1505-0000	1505-0001
φ 63	100	120	73	80	80	40	M10	145.5	5	8	8	M8	1635-0000	1635-0001

The swinging bridge will be mounted where a guiding will be mounted in connection with an existing rodless cylinder. The swinging bridge transfers the action power to the guiding element without any tension.

- KT-CROSS SUPPORT
- DIMENSION

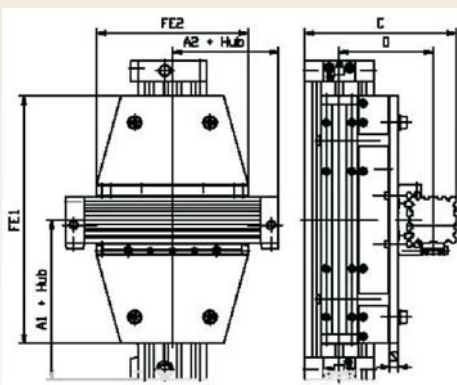


Symbol Bore size	A1	A2	C	D	FE1	FE2	S	Order code
φ 18:φ 18	80	80	84	54	103	103	6	1186-0000
φ 25:φ 25	100	100	114	72	131	131	8	1256-0000
φ 32:φ 32	120	120	140	88	171	171	10	1326-0000
φ 40:φ 40	150	150	168	105	220	220	10	1406-0000
φ 50:φ 50	180	180	204	126	280	280	12	1506-0000
φ 63:φ 63	215	215	239	146	333	333	12	1636-0000

Symbol Bore size	A1	A2	C	D	FE1	FE2	S	Order code
φ 25:φ 18	100	80	100	64	131	103	8	1256-0001
φ 32:φ 25	120	100	125	81	171	131	10	1326-0001
φ 40:φ 32	150	120	154	96.5	220	171	10	1406-0001
φ 50:φ 40	180	150	187	116.5	280	220	12	1506-0001
φ 60:φ 50	215	180	221.5	136	333	280	12	1636-0001

Symbol Bore size	A1	A2	C	D	FE1	FE2	S	Order code
φ 32:φ 18	120	80	112	71	171	103	8	1326-0002
φ 40:φ 25	150	100	142	81	171	131	10	1406-0002
φ 50:φ 32	180	120	171	106	280	171	10	1506-0002
φ 60:φ 40	215	150	204.5	126.5	333	220	12	1636-0002

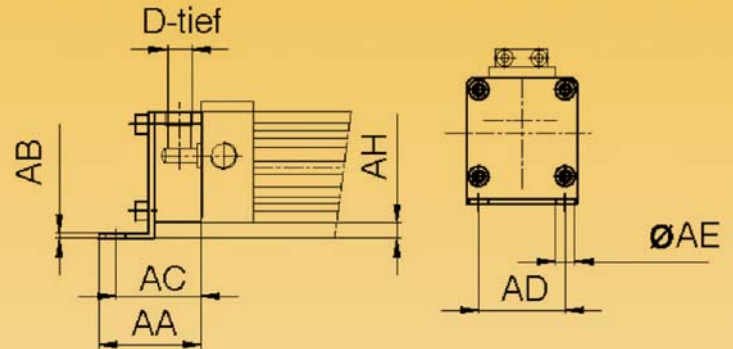
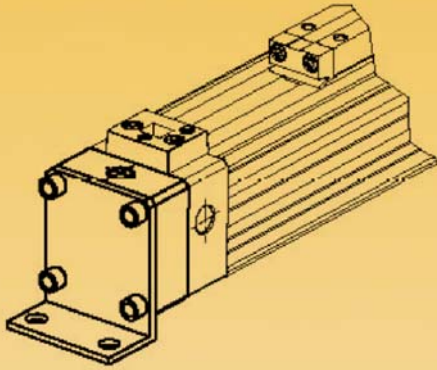
The cross support connects two guiding cylinders to a two-axis-system. Guiding cylinders are to be ordered separately.



TANAIR

RODLESS CYLINDER NON STANDARD DIMMENSIONS & OPTIONS

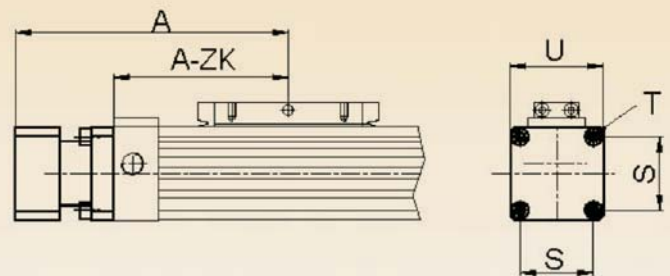
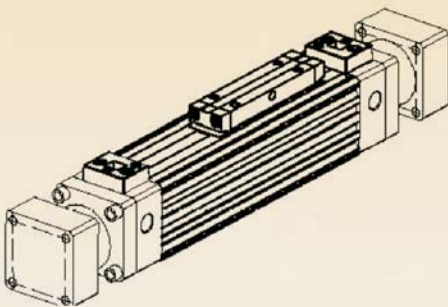
- DIMENSION
- KA-Yoke side port incl. FB Mounting bracket



Symbol Bore size	AA	AB	AC	AH	D	Order code
φ 18	26	2	21	2	M5X5.5	on request
φ 25	32	2	26.5	2	G1/8X7.7	on request
φ 32	34	2.5	27.5	3	G1/8x7.7	on request
φ 40	43	2.5	35.5	3	G1/4x11.7	on request
φ 50	46	3	38	3	G1/4x11.7	on request
φ 63	54	3	45	4.5	G3/8x11.7	on request

All cylinder types can be fitted with a yoke-side-port By an additional front plate.
The front plate will be mounted on the cylinder over The mounting brackets.
The mounting brackets are turnable by 4x90*
Other port threads or brackets available in case Of enquiry.

- DIMENSION
- AP-Adapter ZK short type to ZS standard type



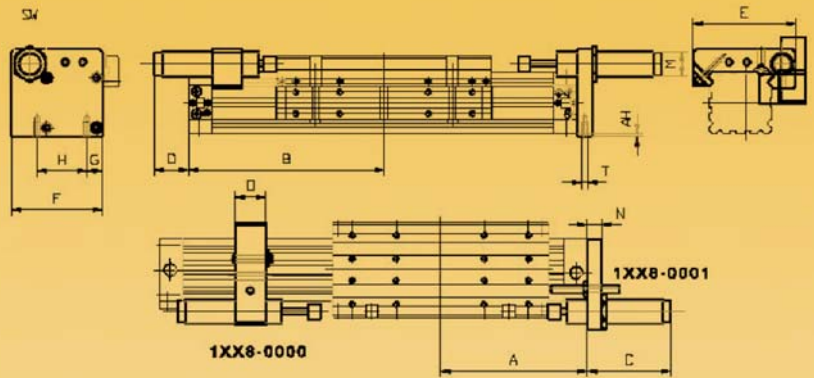
Symbol Bore size	A	S	T	U	Order code
φ 18	80	23.5	M3X6	30	AP00018
φ 25	100	33	M4X7	42	AP00025
φ 32	120	41	M5X9	52	AP00032
φ 40	150	51	M8X10	63	AP00040
φ 50	180	63	M8X12.5	78	AP00050
φ 63	215	78	M8X15	93	AP00063

Thread and bore drawing available in case of enquiry.

TANAIR

RODLESS CYLINDER NON STANDARD DIMMENSIONS & OPTIONS

- DIMENSION
- AS-Stop adjustment



Symbol	A ZF	AH	B ZF	C	D	E	F	G	H	M	N	O	T	Shock absorber	Order code
φ 18	80	2	11.	32	Max. 25	57	43.5	8	23.5	M10x1	8	15	M3x10	PMX 10M-1B.2B.3B	1188-0000 1188-0001
φ 25	100	2	117.5	37	Max. 40	72	57	12.5	33	M14x1.5	10	20	M4x10	PMX 10M-1B.2B.4B	1258-0000 1258-0001
φ 32	120	3	135.5	70	Max. 30	84	70	14.5	41	M14x1.5	12	20	M5x12	SPM 25MC-1B.2B.5B	1328-0000 1328-0001
φ 40	150	3	165	65	Max. 50	105	93	16	51	M25x1.5	15	30	M6x15	PM 100MF-1B.2B.3B	1408-0000 1408-0001
φ 50	180	3	195	80	Max. 65	126	102	22.5	63	M25x1.5	15	30	M8x20	PM 100MF-1B.2B.3B	1508-0000 1508-0001
φ 63	215	4.5	250	80	65	140	118.5	20	78	M25x1.5	15	32	M8x20	PM 100MF-1B.2B.3B	1638-0000 1638-0001

For shock absorber/on request.

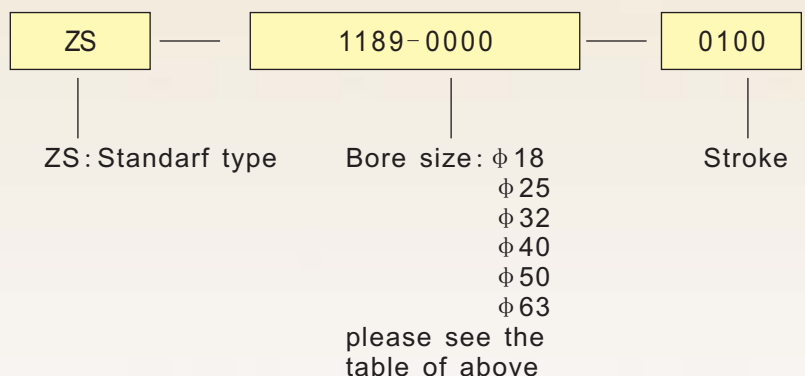
- HOW TO ORDER
- WEAR PARTS



Symbol Bore size	ZS	ZK	ZK
φ 18	ZS-1189-0000-□□□□	ZS-2189-0000-□□□□	ZS-3189-0000-□□□□
φ 25	ZS-1259-0000-□□□□	ZS-2259-0000-□□□□	ZS-3259-0000-□□□□
φ 32	ZS-1329-0000-□□□□	ZS-2329-0000-□□□□	ZS-3329-0000-□□□□
φ 40	ZS-1409-0000-□□□□	ZS-2409-0000-□□□□	ZS-3409-0000-□□□□
φ 50	ZS-1509-0000-□□□□	ZS-2509-0000-□□□□	ZS-3509-0000-□□□□
φ 63	ZS-1639-0000-□□□□	ZS-2639-0000-□□□□	ZS-3639-0000-□□□□

- DETAIL INCLUDED

- *Round profile/m
- *Sealing strip/m
- *Cover strip (steel) /m
- *Head wiper/2pcs
- *Wiper/2 pcs
- *Guiding bar/2 pcs
- *Piston seal/2 pcs
- *Cushion ring/2 pcs
- *End cap o-ring/2 pcs
- *Cushion pin o-ring/2 pcs
- *Cylinder head screw plain ISO4762/4 pcs



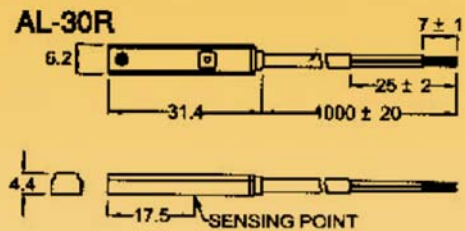
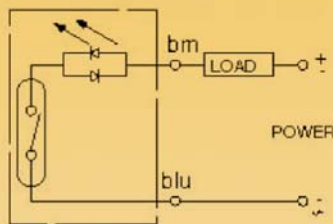
website: www.easternpneumatics.com

TAN AIR

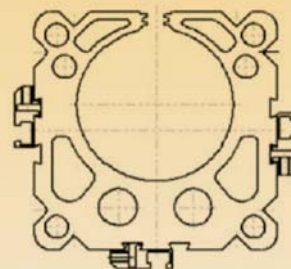
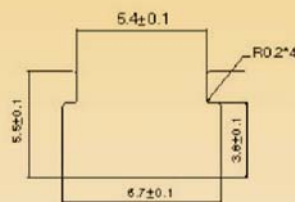
RODLESS CYLINDER NON STANDARD DIMMENSIONS & OPTIONS

● MAGNETIC SWITCH

● CONNECT DIAGRAM

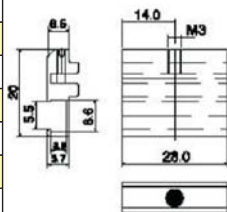


● APPLICABLY GROOVE



● SPECIFICATION

Type	AL-30R	Clamp for T-nut sensor
Characteristics	AL-30R	0000-8086
Form of contact logic	SPST Normally open contact	
Sensor tape	Reed switch	
Operating voltage	5-28 VDC/AC	
Switching current	5-100 mA	
Switching rathing	10Wmax	
Switching time	<1ms	
Voitage drop	2.5v max @100mA DC	
Sensitivity (note: 1)	40Gauss	
Protection class	IP 67 (NAME6)	
Operating temperature	-10 ° C~10 ° C	
Shock (note: 2)	30G	
Vibration (note: 3)	9G	
Color of led indicator	Red	
Max. switching frequency	200HZ	
Protection circute	None	
Cable length	1m, φ 2. 8, 3c, PVC	



● TECHNICAL INFORMATION

The reed-switch will bi operated by the magnetic field of one of the permanent magnets built in the yoke. The magnetic piston will be built in as standard . The end yoke can be read out.

Note:

1. Measuring standard target: *15. 5* *8. 5*t (anisotropy rubber magnet)
2. Sin wave/x, y z 3 directions/3 times each direction/11ms each time.
3. Double amplitude 1. 5mm/10hz-55hz-10hz (sweep 1 min) /x, y z3direction/1 hour each time.

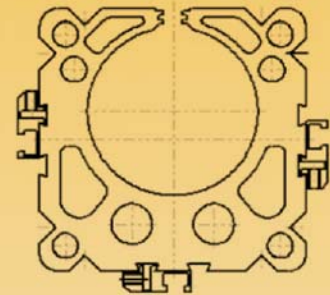
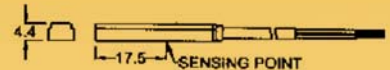
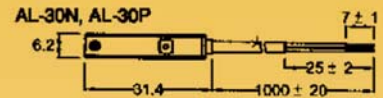
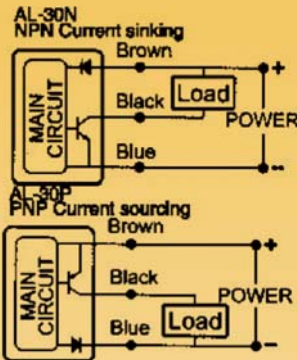
TAN AIR

RODLESS CYLINDER NON STANDARD DIMMENSIONS & OPTIONS

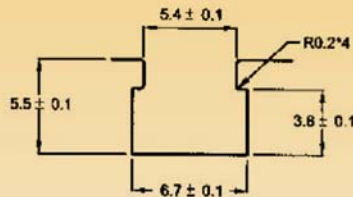


● MAGNETIC SWITCH

● CONNECT DIAGRAM

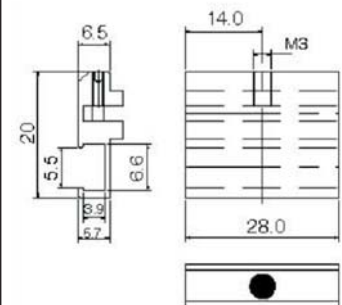


● APPLICABLY GROOVE



● SPECIFICATION

Characteristics	Type	AL-30N	AL-30P	Clamp for T-nut sensor
Form of contact logic		SOILD state output, normally open		0000-8086
Sensor tape		NPN current sinking	PNP current sourcing	
Operating voitage		5-28 VCD	5-28VCD	
Switching current		200mAmax		
Switching rathing		6Wmax		
Current consumption		19mAmax. @24v (switch active)	16mAmax. @24v (switch active)	
Switching time		<1ms		
Voitage drop		1.5v max @200mA (Resistive Load)		
Leakage current		0.01mA max		
Sensitivity (note: 1)		40Gauss		
Protection class		IP 67 (NAME6)		
Operating temperature		-10 ° C~10 ° C		
Shock (note: 2)		50G		
Vibration (note: 3)		9G		
Color of led indicator		Red led	gree led	
Max. switching frequency		1000HZ		
Protection circute		power source reveres polarity, surge suppression		
Cable length		1m, 2.8, 3c, pvc		



Note:

1. Measuring standard target: *15. 5* *8. 5*t (anisotropy rubber magnet)
2. Sin wave/x, y z 3 directions/3 times each direction/11ms each time.
3. Double amplitude 1. 5mm/10hz-55hz-10hz (sweep 1 min) /x, y z3direction/1 hour each time.