

TANAIR

AIR FILTER REGULATOR EYT-250

HOW TO ORDER

EYT-250



ADJUSTABLE RANGE

| | |
|---|--------------------------|
| A | 0-4.2kgf/cm ² |
| B | 0-8.4kgf/cm ² |
| C | 0-2.1kgf/cm ² |



CONNECTION TYPE

| | |
|---|--------|
| P | PT1/4 |
| N | NPT1/4 |



GAUGE

| | |
|---|----------|
| 0 | NONE |
| 1 | 4kgf/cm |
| 2 | 10kgf/cm |



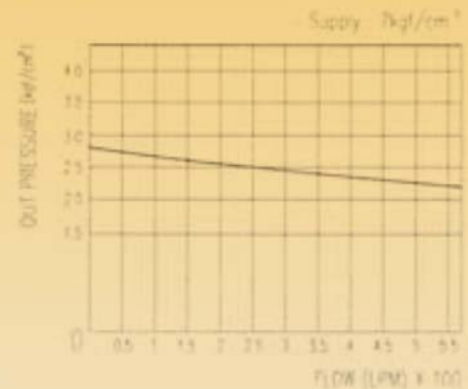
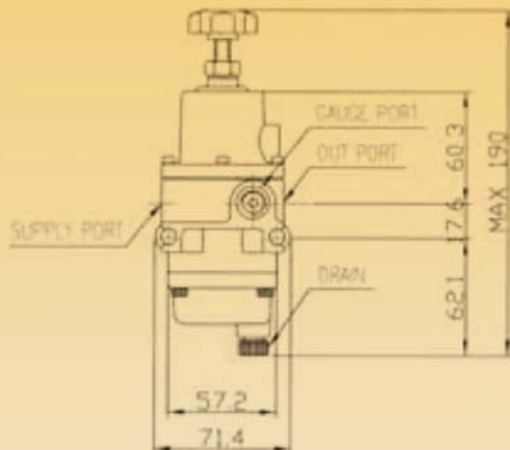
AMBIENT TEMP

| | |
|---|------------|
| 1 | Max. 70° C |
| 2 | MAX.100° C |



MATERIAL

| | |
|---|---------------------|
| B | ALUMINIUM |
| S | 316 STAINLESS STEEL |



Specifications

| Item- Type | EYT-250 | | |
|-------------------------|----------------------------------|------------------------|------------------------|
| | A | B | C |
| Max. Supply pressure | 1.5MPa (23kgf/cm ²) | | |
| Max. Operating pressure | 4.23kgf/cm ² | 8.4kgf/cm ² | 2.1kgf/cm ² |
| Air Connection | PT (MPT) 1/4 | | |
| Gauge Connection | PT (MPT) 1/4 | | |
| Ambient Temp | -20°C -70°C (-4 -158. F) | | |
| Min Fiting Size | 5 micron | | |
| Material | Stainless Steel (SIS/SUS316S311) | | |
| Weight | 1.3Kg (2.5b) | | |

Air Filter Regulator EYT-250 is for use in offshore or corrosive environment, which is made of stainless steel.

EYT-250 maintains the stable outlet pressure regardless of the fluctuation of inputting pressure or flow rate. It is easy to install and maintain due to light weight and small size.

5 micron filter enables to filter particles.

EYT-250 has relief function which discharges to atmosphere if the outlet pressure is higher than setting pressure.

website: www.easternpneumatics.com