

TANAIR

T-TYPE REGULATOR (EAR)

EAR2000T - 6000T



● How to order

EAR 3000 T - 03 BG

① Regulator

② Body Size

20-1/4
30-3/8
40-1/2
60-1

③ Body Type
T-T-type handle
M-Modular type

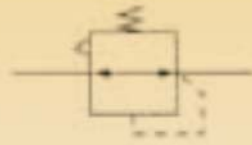
④ Port Size

02-Rc (PT) 1/4"
03-Rc (PT) 3/8"
04-Rc (PT) 1/2"
06-Rc (PT) 3/4"
10-Rc (PT) 1"

⑤ Accessory (Optional)

B -Bracket
G -Gauge

● Symbol



● Specification

| | |
|-------------------------------|---|
| Max. Supply pressure | 1.5MPa (15.3kgf/cm ²) |
| Max. Operating pressure | 0.97MPa (9.9kgf/cm ²) |
| Regulating range | 50-850kPa (0.5-8.7kgf/cm ²) |
| Ambient and media temperature | 5-60°C |
| Port size for Gauge Rc(PT) | 1/8 1/4 |
| Construction | Relief type |

● Precautions

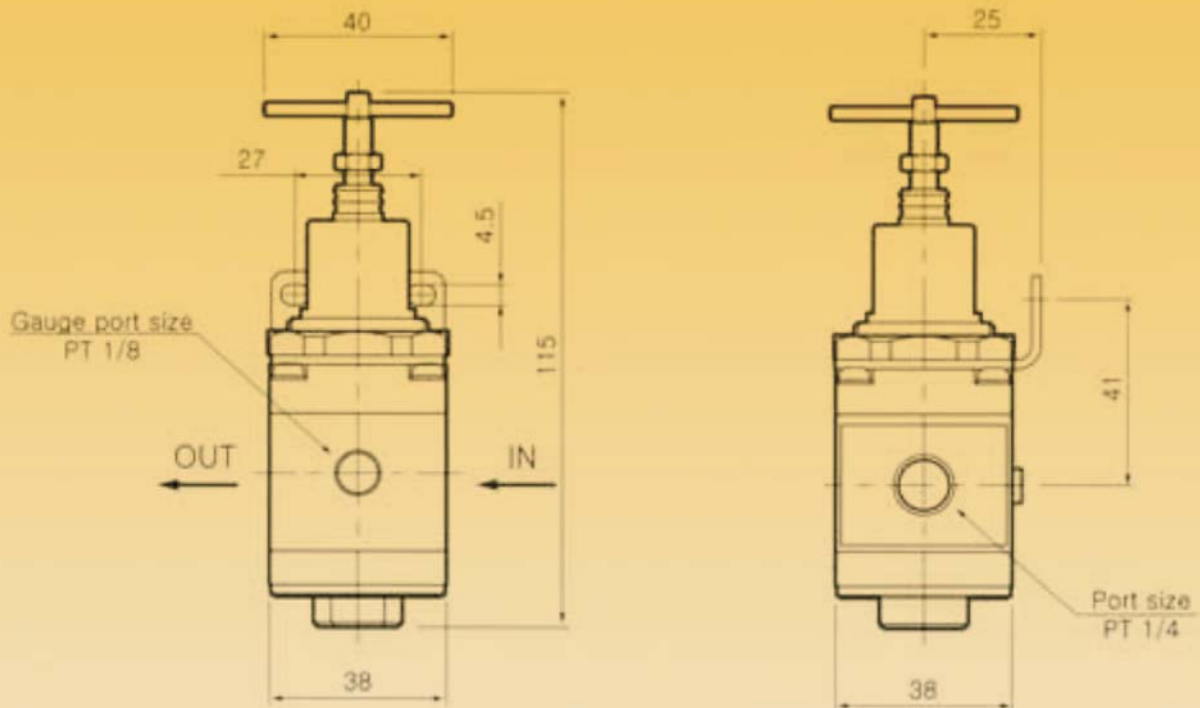
- ① To unlock, unscrew the nut attached to the regulating handle. To lock, screw the nut after settling pressure.
- ② When regulating pressure, turning the handle to the right raises the pressure of secondary side. Turning in the opposite (left) direction drops the pressure.
- ③ Regulating pressure range of the secondary side is less than 85% of the first side

TANAIR

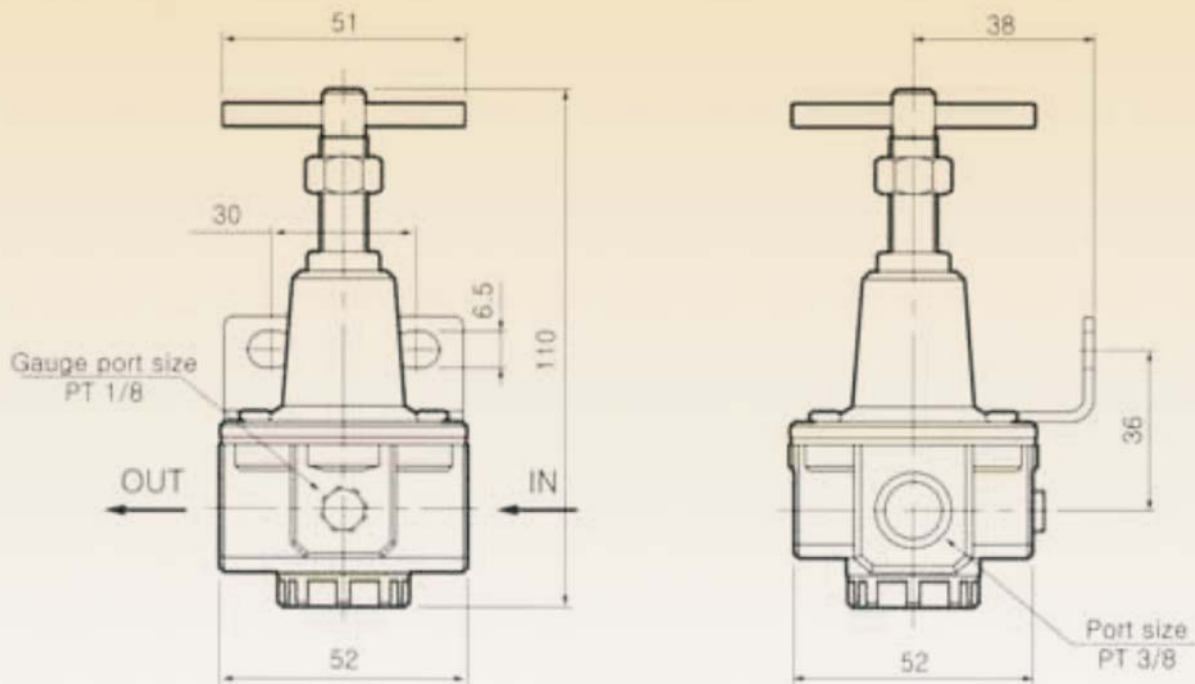
EAR(T) Series

- DIMENSIONS (mm)

EAR 2000T



EAR 3000T

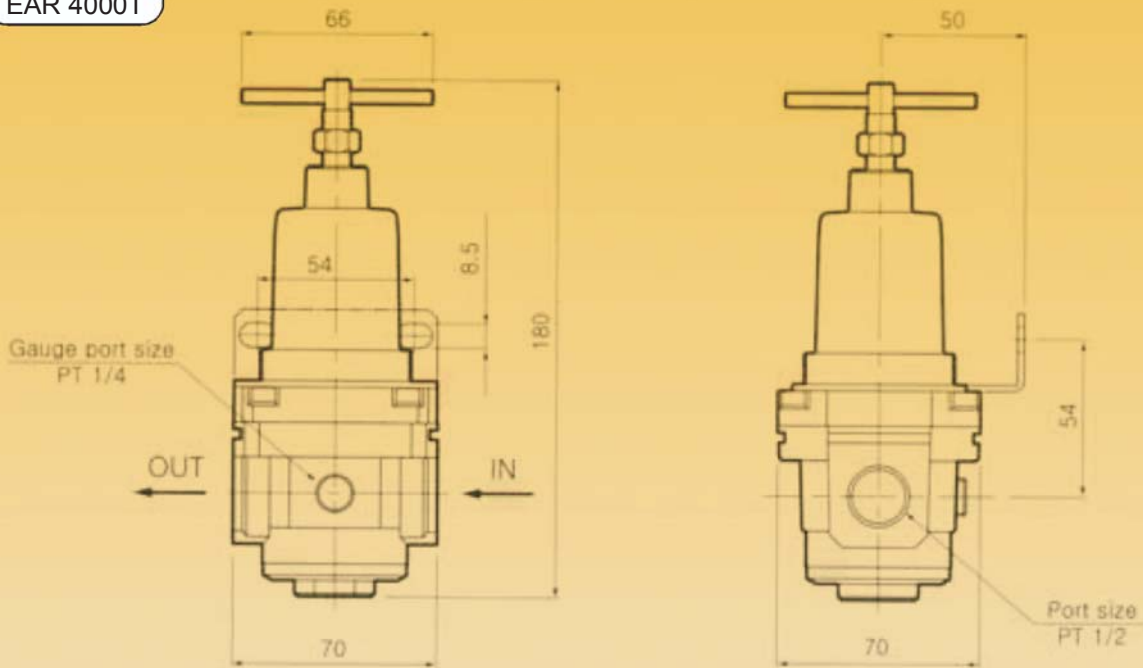


TANAIR

EAR(T) Series

- DIMENSIONS (mm)

EAR 4000T



- DIMENSIONS (mm)

EAR 6000T

