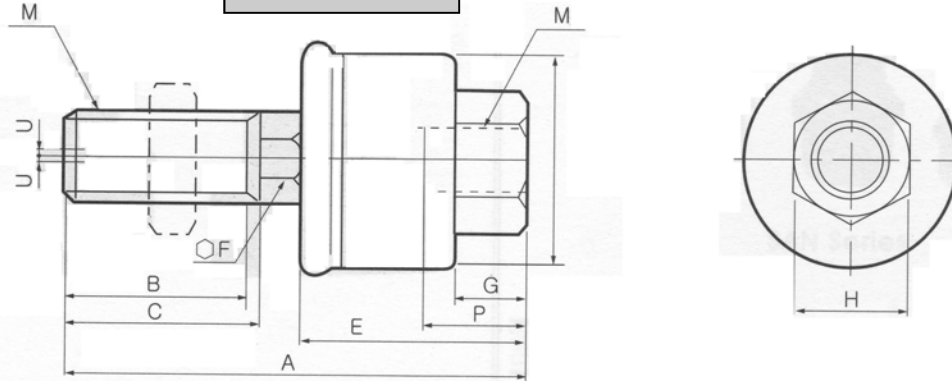


TANAIR PNEUMATICS

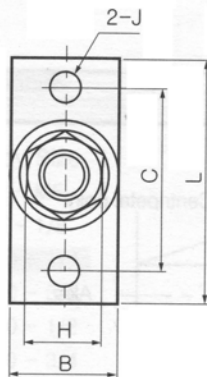
DIMENSIONS (mm)

TJ 10 ~ 140

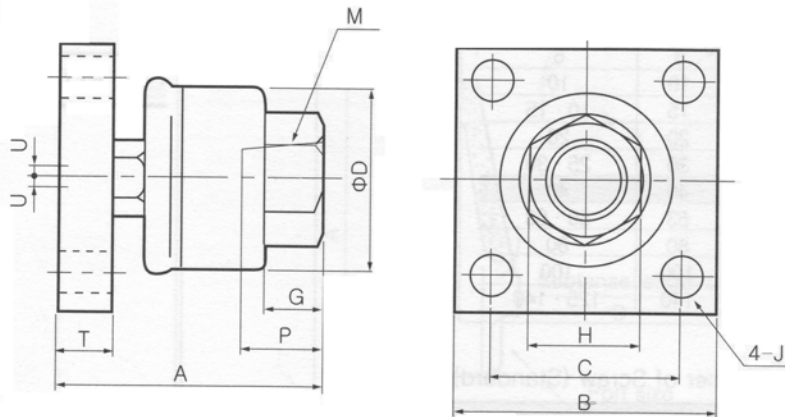


Model	M		A	B	C	D	E	F	G	H	Max. Depth of screw(P)	Permitted eccentricity(U)	Max. Operating compression(kgf)	Weight (g)
	Diameter	Pitch												
TJ15-4-070	4	0.7	34	12	14	16	2	6	5	10	5.5	0.5	5.4	20
TJ15-5-080	5	0.8	34	12	14	16	2	6	5	10	7	0.5	12.3	22
TJ15-6-100	6	1	34	12	14	16	2	6	5	10	7	0.5	12.3	24
TJ20-8-125	8	1.25	44	17	-	22	4.5	7	7	13	8	0.5	110	54
TJ30-10-125	10	1.25	50	19	-	25	5	8	8	17	9	0.5	250	86
TJ40-14-150	14	1.5	60	20	-	32	6	11	11	22	13	0.75	600	182
TJ63-18-150	18	1.5	75	25	-	42	7.5	14	13.5	27	15	1	1,100	404
TJ80-22-150	22	1.5	90	29	-	52	9.5	19	16	32	18	1.25	1,800	700
TJ100-26-150	26	1.5	110	35	-	63	11.5	24	20	41	24	2	2,800	1,250
TJ140-30-150	30	1.5	153	42	45	79	14	30	22	46	38	2.5	5,400	2,952

TJ F20 ~ F40



TJ F63 ~ F140



Model	M		A	B	L	C	D	T	J	G	H	Max. Depth of screw(P)	Permitted eccentricity(U)	Max. Operating compression(kgf)	Weight (g)
	Diameter	Pitch													
TJF 20-8-125	8	1.25	33	19	48	36	22	6	6.6	7	13	8	0.5	110	
TJF 30-10-125	10	1.25	40	25	52	40	25	6	6.6	8	17	9	0.5	250	128
TJF 40-14-150	14	1.5	49	32	70	52	32	9	9	11	22	13	0.75	440	292
TJF 63-18-150	18	1.5	62	65	-	45	42	9	9	13.5	27	15	1	1,100	680
TJF 80-22-150	22	1.5	77	75	-	55	52	16	11	16	32	18	1.25	1,800	1,206
TJF 100-26-150	26	1.5	94	90	-	65	63	19	11	20	41	24	2	2,800	2,170
TJF 140-30-150	30	1.5	131	125	-	82	79	25	18	22	46	38	2.5	3,600	5,420