

TAN AIR PNEUMATICS

CYLINDER DIAMETER (mm)	STANDARD STROKE	R	S	T	U	VA	VB	WA			WB			X	XA	XB	XC	XL	YY	YL	Z
								≤30st	40st-100st	≥125st	≤30st	40st-100st	≥125st								
12	10,20,30,40,50,75,100	48	22	56	41	50	37	20	40	-	15	25	-	23	3	3.5	3	6	M5x0.8	10	5
16		54	25	62	46	56	38	24	44	-	17	27	-	24	3	3.5	3	6	M5x0.8	10	5
20	10,20,30,40,50,75,100,125,150,175,200	70	30	81	54	72	44	24	44	120	29	39	77	28	3	3.5	3	6	M6x1.0	12	17
25		78	38	91	64	82	50	24	44	120	29	39	77	34	4	4.5	3	6	M6x1.0	12	17

TPMGPM - SLIDE BEARING

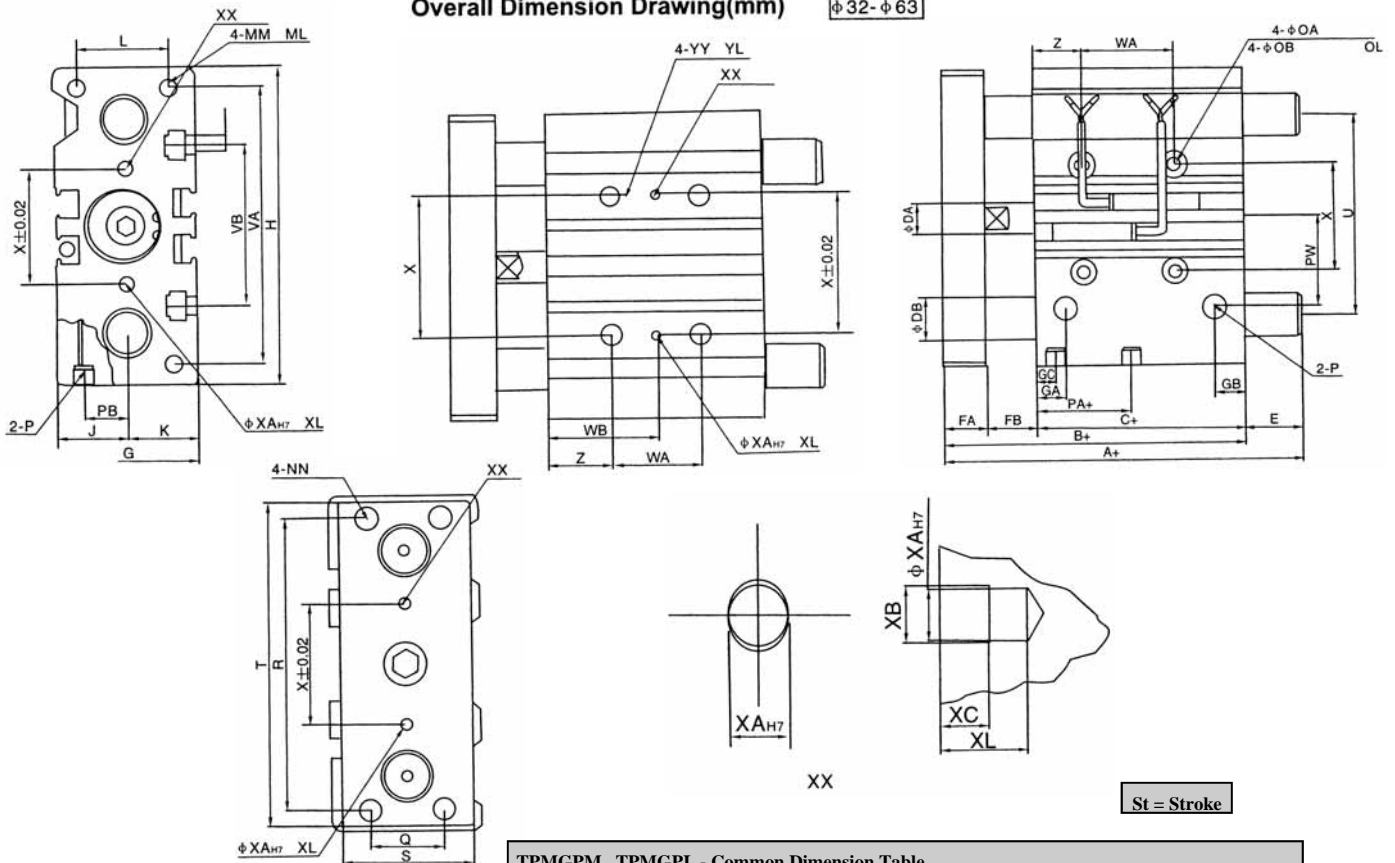
CYLINDER DIAMETER (mm)	A		OB	E	
	≤50st	≥75st		≤50st	≥75st
12	42	60.5	8	0	18.5
16	46	64.5	10	0	18.5
20	53	84.5	12	0	31.5
25	53.5	85	16	0	31.5

TPMGPL - ROLLER GUIDE BEARING

CYLINDER DIAMETER (mm)	A			OB	E		
	≤30st	40st-100st	≥125st		≤30st	40st-100st	≥125st
12	43	55	-	6	1	13	-
16	49	65	-	8	3	19	-
20	63	80	108	10	10	27	51
25	69.5	85.5	108.5	13	16	32	51

Overall Dimension Drawing (mm)

φ 32-φ 63



TPMGPM, TPMGPL - Common Dimension Table

CYLINDER DIAMETER (mm)	STANDARD STROKE	B	C	DA	FA	FB	G	GA	GB	GC	H	HA	J	K	L	MM	ML	NN	OA	OB	OL	P	PA	PB	PW	Q
32	25,50,75,100,125,150,175,200	59.5	37.5	16	12	10	48	12.5	9	12.5	112	M6	24	24	34	M8x1.25	20	M8x1.25	6.6	11	7.5	Rc ^{1/8}	7	15	34	30
40		66	44	16	12	10	54	14	10	14	120	M6	27	27	40	M8x1.25	20	M8x1.25	6.6	11	7.5	Rc ^{1/8}	13	18	38	30
50		72	44	20	16	12	64	14	11	12	148	M8	32	32	46	M10x1.5	22	M10x1.5	8.6	14	9	Rc ^{1/4}	9	21.5	47	40
63		77	49	20	16	12	78	16.5	13.5	16.5	162	M10	39	39	58	M10x1.5	22	M10x1.5	8.6	14	9	Rc ^{1/4}	14	28	55	50

CYLINDER DIAMETER (mm)	STANDARD STROKE	R	S	T	U	VA	VB	WA			WB			X	XA	XB	XC	XL	YY	YL	Z
								25st	50,75,100st	≥100st	25st	50,75,100st	≥100st								
32	25,50,75,100,125,150,175,200	96	44	110	78	98	63	24	48	124	33	45	83	42	4	4.5	3	6	M8x1.25	16	21
40		104	44	118	86	106	72	24	48	124	34	46	84	50	4	4.5	3	6	M8x1.25	16	22
60		130	60	146	110	130	92	24	48	124	36	48	86	66	5	6	4	8	M10x1.5	20	24
63		130	70	158	124	142	110	28	52	128	38	50	88	80	5	6	4	8	M10x1.5	20	24

TAN AIR PNEUMATICS

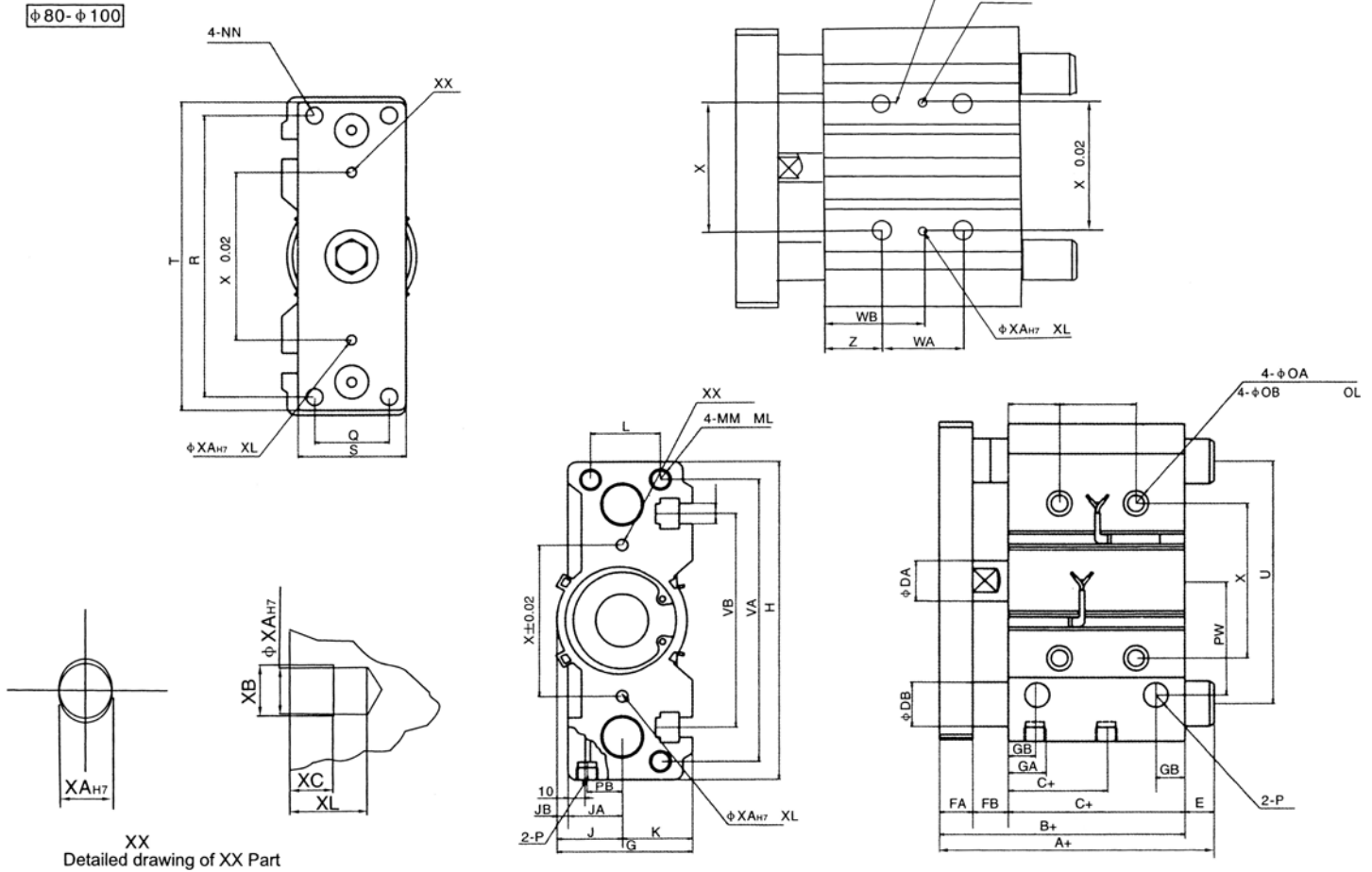
TPMGPM - SLIDE BEARING

CYLINDER DIAMETER (mm)	A		DB	E	
	25,50st	≥50st		25,50st	≥50st
32	97	102	16	37.5	42.5
40	97	102	20	31	36
50	106.5	118	25	34.5	46
63	106.5	118	25	29.5	41

TPMGPL - ROLLER GUIDE BEARING

CYLINDER DIAMETER (mm)	A			DB	E		
	25,50st	75,100st	≥100st		25,50st	75,100st	≥100st
32	81	98	118	16	21.5	38.5	58.5
40	81	98	118	16	15	32	52
50	93	114	134	20	21	42	62
63	93	114	134	20	16	37	57

Overall Dimension Drawing(mm)



TPMGPM, TPMGPL - Common Dimensions

St = Stroke

CYLINDER DIAMETER (mm)	STANDARD STROKE	B	C	DA	FA	FB	G	GA	GB	GC	H	HA	J	JA	JB	K	L	MM	ML	NN	OA	OB	OL	P	PA	PB	PW
		80	25,50,75,100,	96.5	56.5	25	22	18	91.5	19	15.5	14.5	202	M12	45.5	38	7.5	46	54	M12x1.75	30	M12x1.75	10.6	17.5	8	Rc ^{3/8}	14.5
100	125,150,175,200	116	66	30	25	25	111.5	23	19	18	240	M14	55.5	45	10.5	56	62	M14x2.0	32	M14x2.0	12.5	20	8	Rc ^{3/8}	17.5	32.5	89

CYLINDER DIAMETER (mm)	STANDARD STROKE	Q	R	S	T	U	VA	VB	WA			WB			X	XA	XB	XC	XL	YY	YL	Z
									25st	50,75,100st	≥100st	25st	50,75,100st	≥100st								
									80	25,50,75,100,	52	174	75	198								
100	125,150,175,200	64	210	90	236	188	210	166	48	72	148	35	47	85	124	6	7	5	10	M14x2.0	28	11

TPMGPM - SLIDE BEARING

CYLINDER DIAMETER (mm)	A		DB	E	
	25,50st	50st		25,50st	50st
80	115	142	30	18.5	45.5
100	137	162	36	21	46

TPMGPL - ROLLER GUIDE BEARING

CYLINDER DIAMETER (mm)	A			DB	E		
	25,50st	75,100st	100st		25,50st	75,100st	100st
80	109.5	130	160	25	13	33.5	63.5
100	121	147	180	30	5	31	64