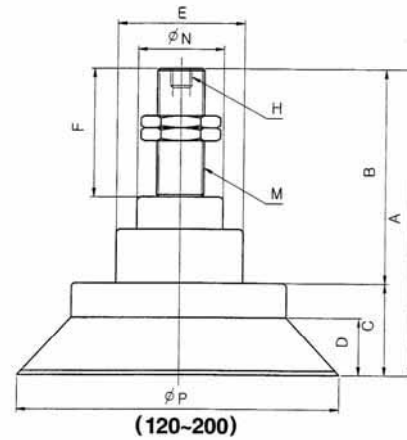
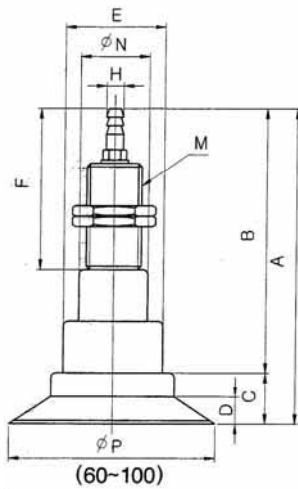
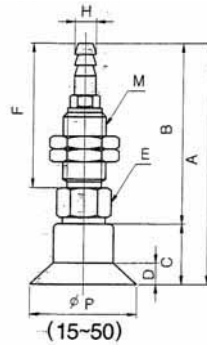
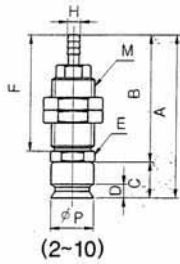


TANAI PNEUMATICS

VACUUM CUPS

MODEL TPS

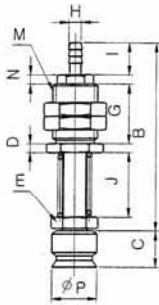


MODEL	A	B	C	D	E	F	H	M	φN	φP
TPS-5	29	21	8	1	7H	17	2.6	M5 X 0.8		2
	29.5	21	8.5	1	7H	17	2.6	M5 X 0.8		4
	30	21	9	1	7H	17	2.6	M5 X 0.8		6
TPS-10	39	30	9	3	9H	24.5	2.6	M8 X 1.25		8
	38	30	8	2	9H	24.5	2.6	M8 X 1.25		10
TPS-25	50	42	8	4	11H	33.5	5	M10 X 1.25		15
	53	42	11	5	11H	33.5	5	M10 X 1.25		20
	56	42	14	5	11H	33.5	5	M10 X 1.25		25
TPS-35	60	46	14	6	12H	37	5	M10 X 1.25		30
	60	46	14	7	12H	37	5	M10 X 1.25		35
TPS-50	67	53	14	6.5	13H	42	5	M12 X 1.25		40
	67	53	14	7	13H	42	5	M12 X 1.25		50
TPS-80	92	77	15	8	29	47	5	M16 X 1.5	20	60
	97	77	20	12	29	47	5	M16 X 1.5	20	80
TPS-100	99	77	22	13	34	47	5	M16 X 1.5	25	100
TPS-150	127	100	27	14	59	60	PT 1/8	M22 X 1.5	40	125
	143	100	43	27	59	60	PT 1/8	M22 X 1.5	40	150
TPS-200	137	100	37	25	69	60	PT 1/8	M22 X 1.5	45	200

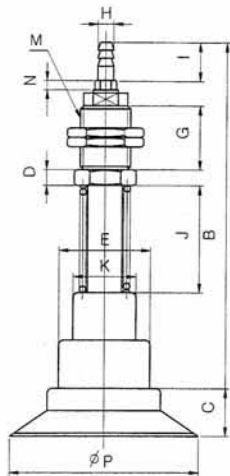
TANAIR PNEUMATICS

VACUUM CUPS

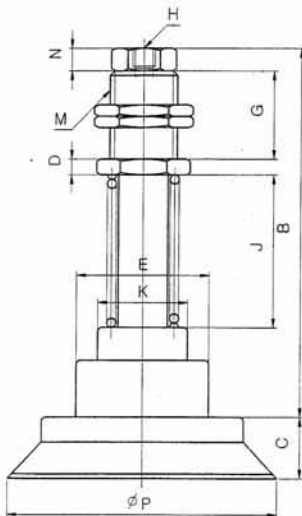
MODEL TPSS



(8~50)



(60~100)



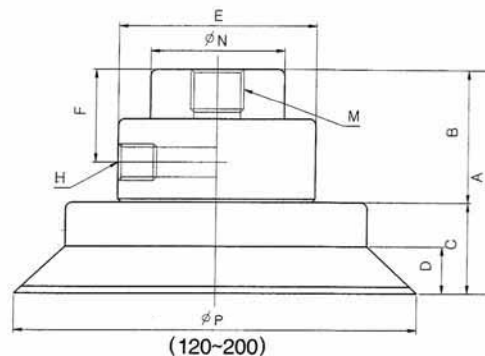
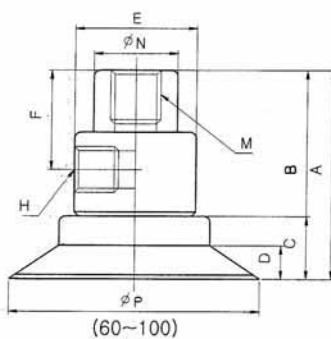
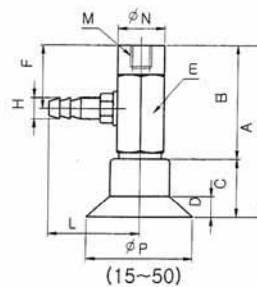
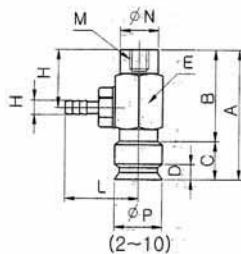
(120~200)

MODEL	ST	B	D	E	G	H	J	N	I	M	K	ØP	C
TPSS 10 - (M10)	10	42	2	9H	13	2.6	15	3	7	M10 X 1.25	*	8	7.5
	20	60	2	9H	13	2.6	33	3	7	M10 X 1.25	*	10	8
	30	82	2	9H	13	2.6	55	3	7	M10 X 1.25	*		
TPSS 15 - (M12)	10	50	3	9H	13	5	16	4	12	M12 X 1.25	*	8	7.5
	15	56	3	9H	13	5	22	4	12	M12 X 1.25	*	10	8
	20	61	3	9H	13	5	27	4	12	M12 X 1.25	*		
TPSS 20 - (M12)	10	51	3	9H	13	5	16	4	12	M12 X 1.25	*	15	8
	20	64	3	9H	13	5	29	4	12	M12 X 1.25	*	20	11
	30	74	3	9H	13	5	39	4	12	M12 X 1.25	*	25	14
TPSS 25 - (M14)	10	64	4	9H	18	5	23	4	12	M14 X 1.5	*	15	8
	20	74	4	9H	18	5	33	4	12	M14 X 1.5	*	20	11
	30	94	4	9H	18	5	53	4	12	M14 X 1.5	*	25	14
	65	129	4	9H	18	5	88	4	12	M14 X 1.5	*		
TPSS 35 - (M14)	10	56	4	11H	18	5	15	4	12	M14 X 1.5	*	30	14
	20	71	4	11H	18	5	30	4	12	M14 X 1.5	*	35	14
	30	81	4	11H	18	5	40	4	12	M14 X 1.5	*	40	14
	50	104	4	11H	18	5	63	4	12	M14 X 1.5	*	50	14
	65	149	5	11H	18	5	108	4	12	M14 X 1.5	*		
TPSS 50 (M16)	10	71	5	11H	20	5	27	4	12	M16 X 1.5	*	30	14
	20	81	5	11H	20	5	37	4	12	M16 X 1.5	*	35	14
	30	104	5	11H	20	5	60	4	12	M16 X 1.5	*	40	14
	60	149	5	11H	20	5	105	4	12	M16 X 1.5	*	50	14
TPSS 80 - (M16)	15	109	5	29	20	5	29	4	16	M16 X 1.5	20	60	15
	30	148	5	29	20	5	68	4	16	M16 X 1.5	20	80	20
	50	188	5	29	20	5	108	4	16	M16 X 1.5	20		
TPSS 100 - (M18)	15	109	5	34	23	5	26	4	16	M18 X 1.5	25	100	22
	30	148	5	34	23	5	65	4	16	M18 X 1.5	25		
	50	188	5	34	23	5	105	4	16	M18 X 1.5	25		
TPSS 80 - (M22)	15	100	5	29	28	PT1/8	27	5	*	M22 X 1.5	20	60	15
	30	120	5	29	28	PT1/8	47	5	*	M22 X 1.5	20	80	20
	85	220	5	29	28	PT1/8	147	5	*	M22 X 1.5	20		
TPSS 100 - (M24)	15	105	6	34	25	PT1/8	34	5	*	M24 X 1.5	25	100	22
	30	130	6	34	25	PT1/8	59	5	*	M24 X 1.5	25		
	85	220	6	34	25	PT1/8	149	5	*	M24 X 1.5	25		
TPSS 120 - (M26)	15	117	6	59	30	PT1/8	34	7	*	M26 X 1.5	40	120	27
	30	147	6	59	30	PT1/8	64	7	*	M26 X 1.5	40	150	43
	50	197	6	59	30	PT1/8	114	7	*	M26 X 1.5	40	200	37
TPSS 150 - (M30)	15	126	7	59	35	PT1/8	35	10	*	M30 X 1.5	40	120	27
	45	170	7	59	35	PT1/8	79	10	*	M30 X 1.5	40	150	43
	80	250	7	59	35	PT1/8	159	10	*	M30 X 1.5	40		
TPSS 200 - (M30)	15	126	7	69	35	PT1/8	35	10	*	M30 X 1.5	45	200	37
	45	170	7	69	35	PT1/8	79	10	*	M30 X 1.5	45		
	80	250	7	69	35	PT1/8	159	10	*	M30 X 1.5	45		

TANAIR PNEUMATICS

VACUUM CUPS

MODEL TPY

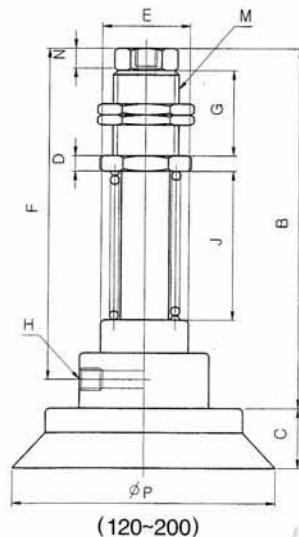
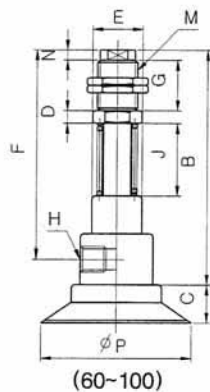
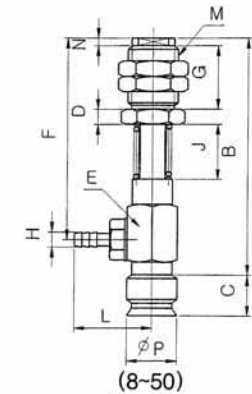


MODEL	A	B	C	D	E	F	H	L	M	φN	φP
TPY-5	22	14	8	1	7H	10	2.6		M3 X 0.5	6	2
	22.5	14	8.5	1	7H	10	2.6		M3 X 0.5	6	4
	23	14	9	1	7H	10	2.6		M3 X 0.5	6	6
TPY-10	28	19	9	3	9H	12	2.6	15	M4 X 0.7	10	8
	27	19	8	2	9H	12	2.6	15	M4 X 0.7	10	10
TPY-25	35	27	8	4	10H	15	5	21	M5 X 0.8	11	15
	38	27	11	5	10H	15	5	21	M5 X 0.8	11	20
	41	27	14	5	10H	15	5	21	M5 X 0.8	11	25
TPY-35	46	32	14	6	11H	21	5	23	M6 X 1.0	13	30
	46	32	14	7	11H	21	5	23	M6 X 1.0	13	35
TPY-50	51	37	14	6.5	13H	25	5	24	M6 X 1.0	14	40
	51	37	14	7	13H	25	5	24	M6 X 1.0	14	50
TPY-80	50	35	15	8	29	25	PT 1/8		M12 X 1.25	20	60
	55	35	20	10	29	25	PT 1/8		M12 X 1.25	20	80
TPY-100	57	35	22	12	34	25	PT 1/8		M12 X 1.25	25	100
TPY-150	67	40	27	14	59	28	PT 1/8		M16 X 1.5	40	125
	83	40	43	27	59	28	PT 1/8		M16 X 1.5	40	150
TPY-200	77	40	37	25	69	33	PT 1/8		M16 X 1.5	45	200

TANAIR PNEUMATICS

VACUUM CUPS

MODEL TPYS



MODEL	ST	B	D	E	F	G	H	J	L	M	N	ØP	C
TPYS 10- (M10)	10	51	2	9H	44	13	2.6	15	21	M10 X 1.25	2	8	7.5
	20	69	2	9H	62	13	2.6	33	21	M10 X 1.25	2	10	8
	30	91	2	9H	84	13	2.6	55	21	M10 X 1.25	2		
TPYS 15- (M12)	10	55	3	9H	48	13	2.6	16	21	M12 X 1.25	4	8	7.5
	15	61	3	9H	54	13	2.6	22	21	M12 X 1.25	4	10	8
	20	66	3	9H	59	13	2.6	27	21	M12 X 1.25	4		
TPYS 20- (M12)	10	62	3	9H	51	13	5	16	21	M12 X 1.25	4	15	8
	20	75	3	9H	64	13	5	29	21	M12 X 1.25	4	20	11
	30	85	3	9H	74	13	5	39	21	M12 X 1.25	4	25	14
TPYS 25- (M14)	10	75	4	9H	64	18	5	23	21	M14 X 1.5	4	15	8
	20	86	4	9H	74	18	5	33	21	M14 X 1.5	4	20	11
	30	105	4	9H	94	18	5	53	21	M14 X 1.5	4	25	14
TPYS 35- (M14)	10	73	4	11H	61	18	5	15	22	M14 X 1.5	4	30	14
	20	88	4	11H	76	18	5	30	22	M14 X 1.5	4	35	14
	30	98	4	11H	86	18	5	40	22	M14 X 1.5	4	40	14
TPYS 50- (M16)	50	120	4	11H	109	18	5	63	22	M14 X 1.5	4	50	14
	65	165	5	11H	154	18	5	108	22	M14 X 1.5	4		
	10	92	5	11H	81	20	5	27	23	M16 X 1.5	4	30	14
TPYS 80- (M16)	20	103	5	11H	91	20	5	37	23	M16 X 1.5	4	35	14
	30	125	5	11H	114	20	5	60	23	M16 X 1.5	4	40	14
	60	170	5	11H	159	20	5	105	23	M16 X 1.5	4	50	14
TPYS 100- (M18)	15	94	5	29	84	20	5	29	*	M16 X 1.5	5	60	15
	30	133	5	29	123	20	5	68	*	M16 X 1.5	5	80	20
	50	173	5	29	163	20	5	108	*	M16 X 1.5	5		
TPYS 80- (M22)	15	94	5	34	84	23	5	26	*	M18 X 1.5	5	100	22
	30	133	5	34	123	23	5	65	*	M18 X 1.5	5		
	50	173	5	34	163	23	5	105	*	M18 X 1.5	5		
TPYS 100- (M24)	15	102	5	29	92	28	PT1/8	27	*	M22 X 1.5	7	60	15
	30	122	5	29	112	28	PT1/8	47	*	M22 X 1.5	7	80	20
	85	222	5	29	212	28	PT1/8	147	*	M22 X 1.5	7		
TPYS 120- (M26)	15	107	6	34	97	25	PT1/8	34	*	M24 X 1.5	7	100	22
	30	132	6	34	122	25	PT1/8	59	*	M24 X 1.5	7		
	85	222	6	34	212	25	PT1/8	149	*	M24 X 1.5	7		
TPYS 150- (M30)	15	117	6	59	105	30	PT1/8	34	*	M26 X 1.5	7	120	27
	30	147	6	59	135	30	PT1/8	64	*	M26 X 1.5	7	150	43
	50	197	6	59	185	30	PT1/8	114	*	M26 X 1.5	7	200	37
TPYS 200- (M30)	15	126	7	59	114	35	PT1/8	35	*	M30 X 1.5	10	120	27
	45	170	7	59	158	35	PT1/8	79	*	M30 X 1.5	10	150	43
	80	250	7	59	238	35	PT1/8	159	*	M30 X 1.5	10		
TPYS 200- (M30)	15	126	7	69	114	35	PT1/8	35	*	M30 X 1.5	10	200	37
	45	170	7	69	158	35	PT1/8	79	*	M30 X 1.5	10		
	80	250	7	69	238	35	PT1/8	159	*	M30 X 1.5	10		