

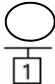





TANAIR PNEUMATICS

EPSI 3000, 5000 & 7000 SERIES VALVES 5 PORT PILOT SOLENOID / BODY PORTED / BASE PORTED TYPE



- **Non-Polar Type Coil**
- **Quick response time & large flow capacity**
 - Response time of less than 12ms (Standard DV1000)
 - Increase in effective cross sectional area (It is increased approximately 2.5 times compared with the same level series from before)
 - Low power Consumption 1.0W (240V, 41mA)
- **High Reliability**
 - Long life
 - Wear Ring attached → The spool side prevents abrasion
 - Uses U Packing → Minimizes frictional resistance
 - In the case of restoration, select the Piston Return mode
- **Changing the exterior to a 'state of the art' design**
 - White color tone → changing the exterior to a 'state of the art' design
 - Elegant compact size and exterior
- **Product diversity**
 - Easy wiring with a basic nonpolar coil type
 - Prevents dust and noise during the pilot exhaustion with its exhaust collection system
 - Easy attachment of the gasket when putting it in the manifold (additional gasket protrusion figure)
 - Common use of the push & lock mode manually

How to order

Body Ported **EPSI**    —   

- 1 Series**
Blank BSP
U NPT
- 2 Valve Series**
1 EPSI 3000
3 EPSI 5000
4 EPSI 7000
- 3 Configuration**
1 : Single Solenoid
2 : Double Solenoid

- 3 : Closed Center
4 : Exhaust Center
5 : Pressure Center
- 4 Manifold Specifications**
20 : Body Ported
- 5 Voltage**
1 : AC110V
5 : DC24V
6 : DC12V

- 6 Electrical Entry**
H : Horizontal
V : Vertical
- 7 Port Size**
M5 : M5×0.8
10 : 10-32UNF(Series DV1000)
01 : 1/8 (Series DV3000)
02 : 1/4 (Series DV4000)

Base Ported **EPSI**    —  

- 1 Valve Series**
1 : EPSI 3000
3 : EPSI 5000
4 : EPSI 7000
- 2 Configuration**
1 : Single Solenoid
2 : Double Solenoid
3 : Closed Center

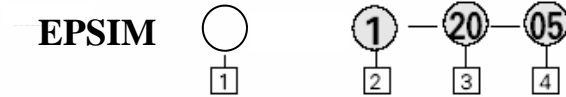
- 4 : Exhaust Center
5 : Pressure Center
- 3 Manifold Specifications**
40 : Base Ported
- 4 Voltage**
1 : AC110V
5 : DC24V
6 : DC12V

- 5 Electrical Entry**
H : Horizontal
V : Vertical

TANAIR PNEUMATICS

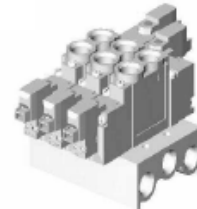
EPSI 3000, 5000 & 7000 SERIES VALVES 5 PORT PILOT SOLENOID / BODY PORTED / BASE PORTED TYPE

MANIFOLD:

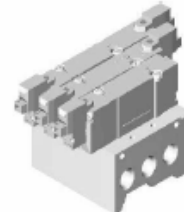


- ① Series
Blank : BSP
U : NPT
- ② Applicable Valve
1 : EPSI 3000
3 : EPSI 5000
4 : EPSI 7000

- ③ Type
20 : Body Ported Type
40 : Base Ported Type
- ④ Stations
02 : 2 Stations
⋮
20 : 20 Stations



Body ported (EPSI**20)



Base Mounted (EPSI**40)

BLANK PLATE:



- ① Series

- 1 : EPSI 3000
3 : EPSI 5000
4 : EPSI 7000

Specifications

Series	EPSI 3000	EPSI 5000	EPSI 7000	
Acting	5 Port Pilot Type Solenoid Valve(Rubber Seal)			
Fluid	Air			
Operating Pressure Range	2Position Single	0.15~0.7MPa(1.5~7.1kgf/cm ²)		
	2Position Double	0.1~0.7MPa(1~7.1kgf/cm ²)		
	3 Position	0.2~0.7MPa(2~7.1kgf/cm ²)		
Ambient and Fluid Temperature	Max. 50℃			
Manual Override	Push&Lock Type			
Lubrication	Not Required			
Mounting Position	Free			
Impact/Vibration Resistance(%)	150/30(8.3~2000Hz)			
Max. Operating Frequency	2Position	10	5	
	3 Position	3	3	
Protection Structure(Enclosure)	Dust proof (DIN connector IP65)			
Lead Electrical Entry	Connector Mounting Type(H:Horizontal, V:Vertical)			
Voltage	DC12V, DC24V, AC110V			
Voltage Allowance	-10~+10% of Rated Voltage			
Polarity	Non-polar			
Response Time(ms)	5kgf/cm ²	~12ms	~18 ms	
Power Consumption(W)	1.0(Indicator Light and Surge suppressor)			
Effective Orifice	Single	3.6mm ² (Cv0.2)	9.0mm ² (Cv0.5)	16.2mm ² (Cv0.9)

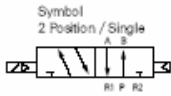
Series EPSI 3000 - 7000 Body Ported Type Effective Orifice and Response Time

Type	Configuration	Operating Pressure Range Mpa(psi)	Effective Orifice (mm ²) (Cv)	Response Time (ms)	
EPSI 3000	2	Single	0.15~0.70 (20~100)	12 less than	
		Double	0.10~0.70 (14~100)	10 less than	
	3	Closed Center	0.20~0.70 (27~100)	3.3 (0.18)	16 less than
		Exhaust Center	0.20~0.70 (27~100)	3.3 (0.18)	16 less than
EPSI 5000	2	Single	0.15~0.70 (20~100)	9.0 (0.50)	
		Double	0.10~0.70 (14~100)	9.0 (0.50)	
	3	Closed Center	0.20~0.70 (27~100)	7.2 (0.40)	32 less than
		Exhaust Center	0.20~0.70 (27~100)	7.2 (0.40)	32 less than
	3	Pressure Center	0.20~0.70 (27~100)	9.5 (0.53)	32 less than
		Pressure Center	0.20~0.70 (27~100)	9.5 (0.53)	32 less than
EPSI 7000	2	Single	0.15~0.70 (20~100)	16.2 (0.90)	
		Double	0.10~0.70 (14~100)	16.2 (0.90)	
	3	Closed Center	0.20~0.70 (27~100)	10.8 (0.60)	50 less than
		Exhaust Center	0.20~0.70 (27~100)	10.8 (0.60)	50 less than
	3	Pressure Center	0.20~0.70 (27~100)	17.1 (0.96)	50 less than
		Pressure Center	0.20~0.70 (27~100)	17.1 (0.96)	50 less than

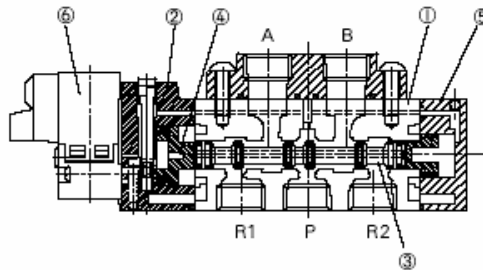
TANAIR PNEUMATICS

EPSI 3000, 5000 & 7000 SERIES VALVES 5 PORT PILOT SOLENOID / BODY PORTED / BASE PORTED TYPE

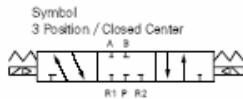
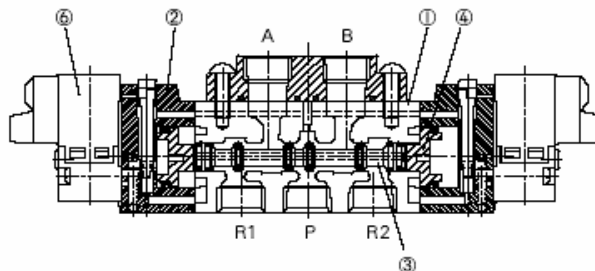
Construction / Body Ported



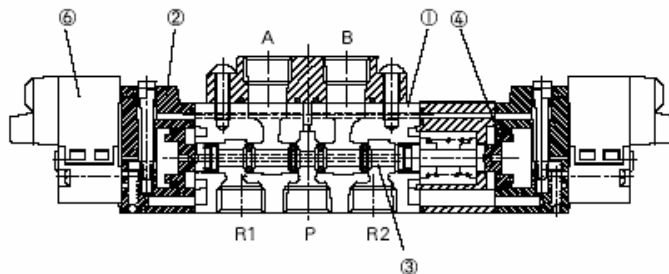
2 Position Single



2 Position Double



3 Position Closed Center / Exhaust Center / Pressure Center



Component Parts

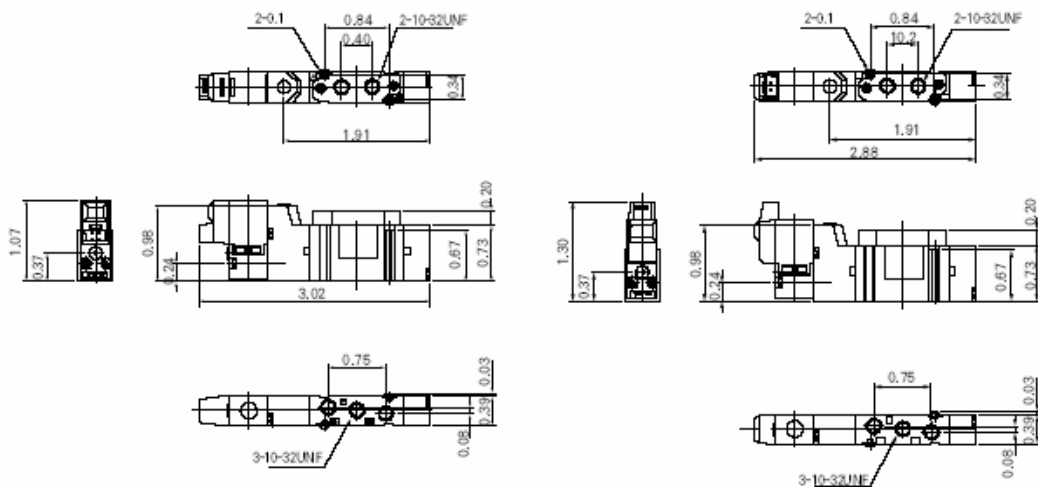
No.	Description	Material
1	BODY	Aluminum Die Cast
2	ADAPTER PLATE	Resin
3	SPOOL	Aluminum
4	PISTON	Resin
5	END COVER	Resin
6	SOLENOID ASSY.	-

TANAIR PNEUMATICS

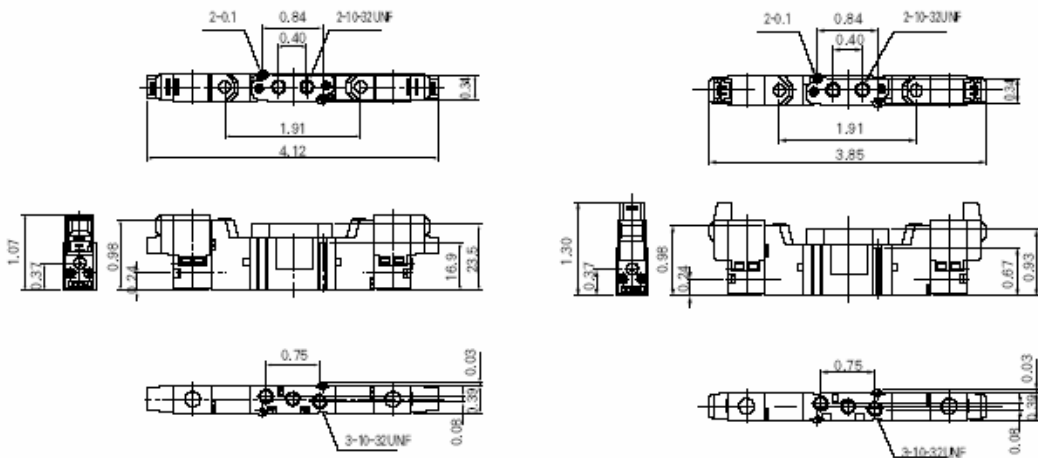
EPSI 3000, 5000 & 7000 SERIES VALVES 5 PORT PILOT SOLENOID / BODY PORTED / BASE PORTED TYPE

Dimensions

EPSI 3120 Single / Body Ported



EPSI 3220 Double / Body Ported

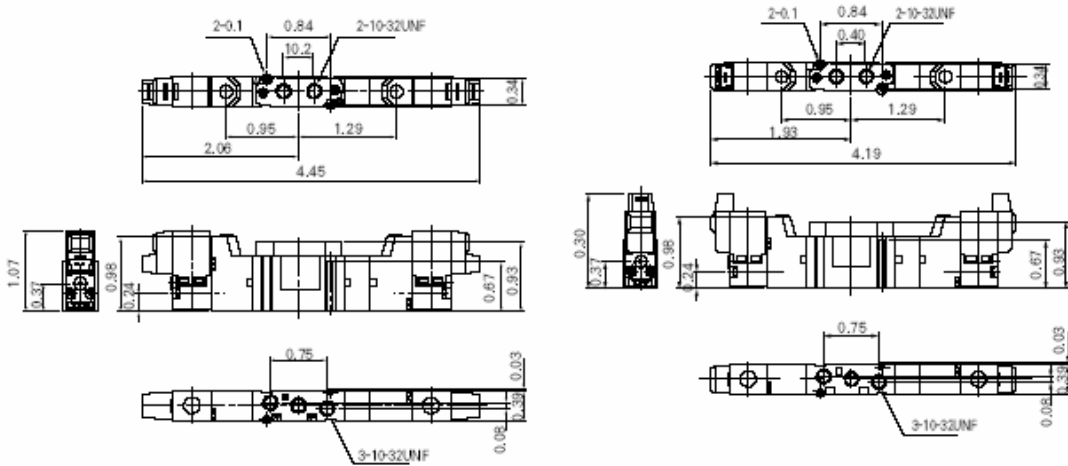


TANAIR PNEUMATICS

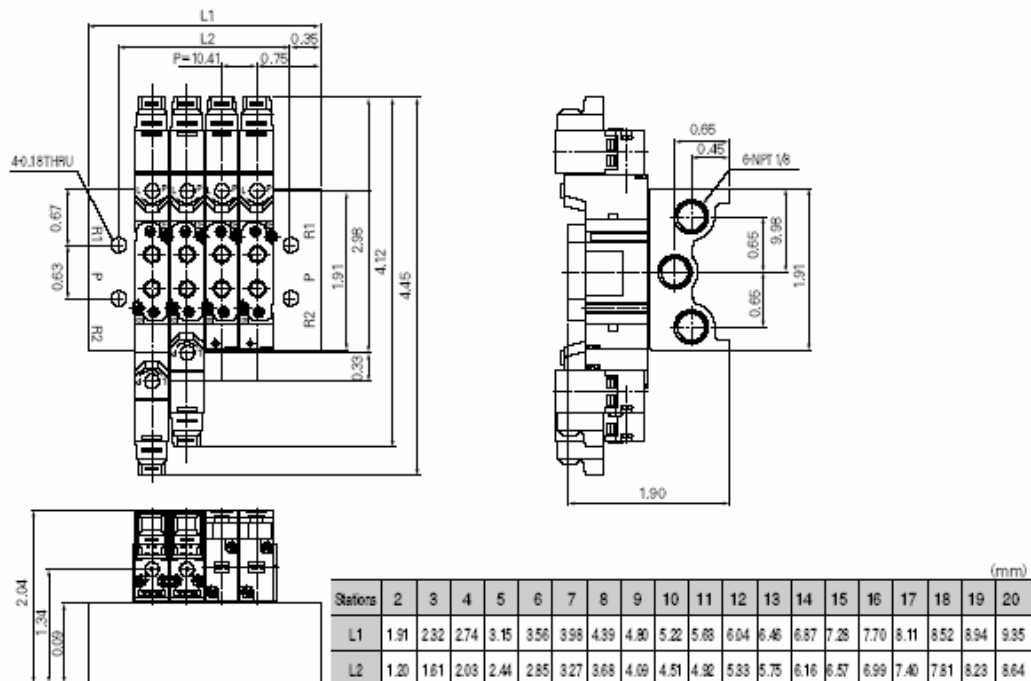
EPSI 3000, 5000 & 7000 SERIES VALVES 5 PORT PILOT SOLENOID / BODY PORTED / BASE PORTED TYPE

Dimensions

EPSI 3320 Position / Body Ported



Dimensions / Series EPSIM1-20

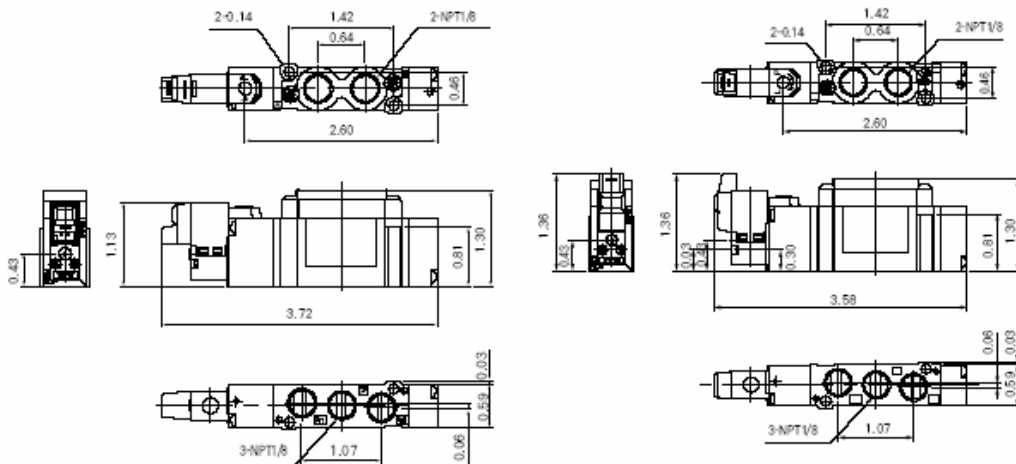


TAN AIR PNEUMATICS

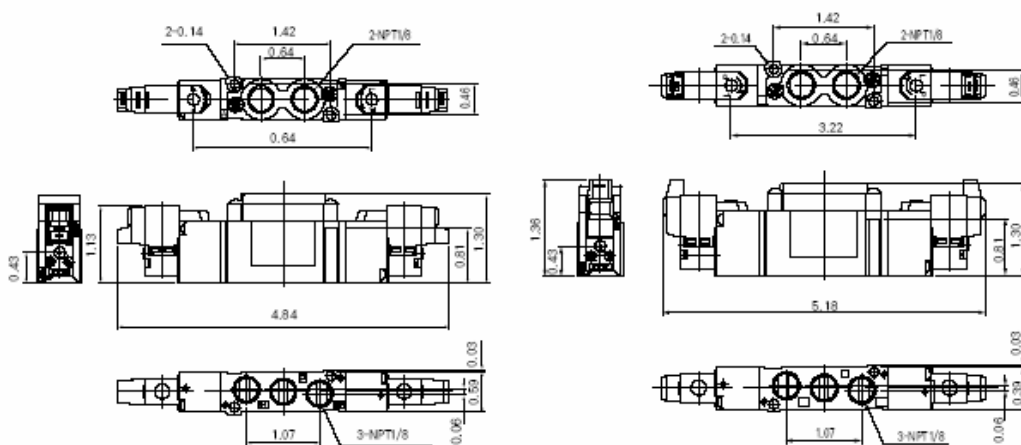
EPSI 3000, 5000 & 7000 SERIES VALVES 5 PORT PILOT SOLENOID / BODY PORTED / BASE PORTED TYPE

Dimensions

EPSI 5120 Single / Body Ported



EPSI 5220 Double / Body Ported

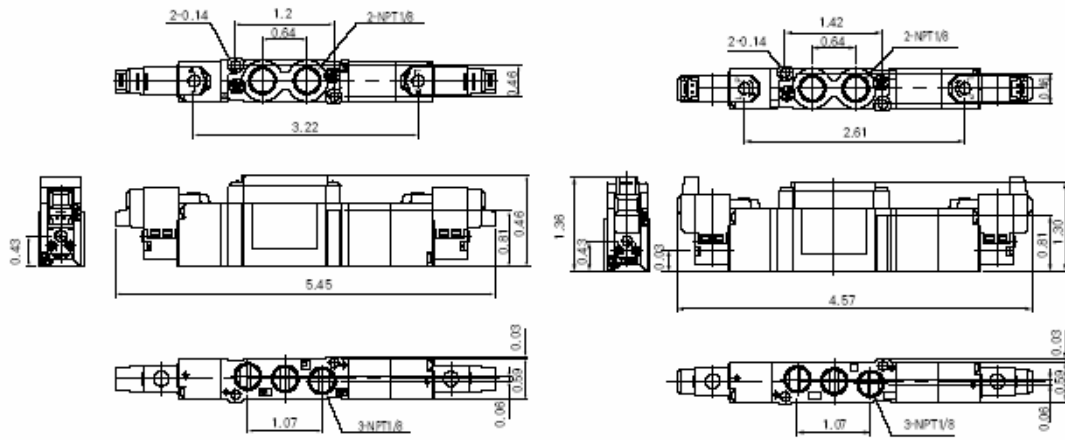


TANAIR PNEUMATICS

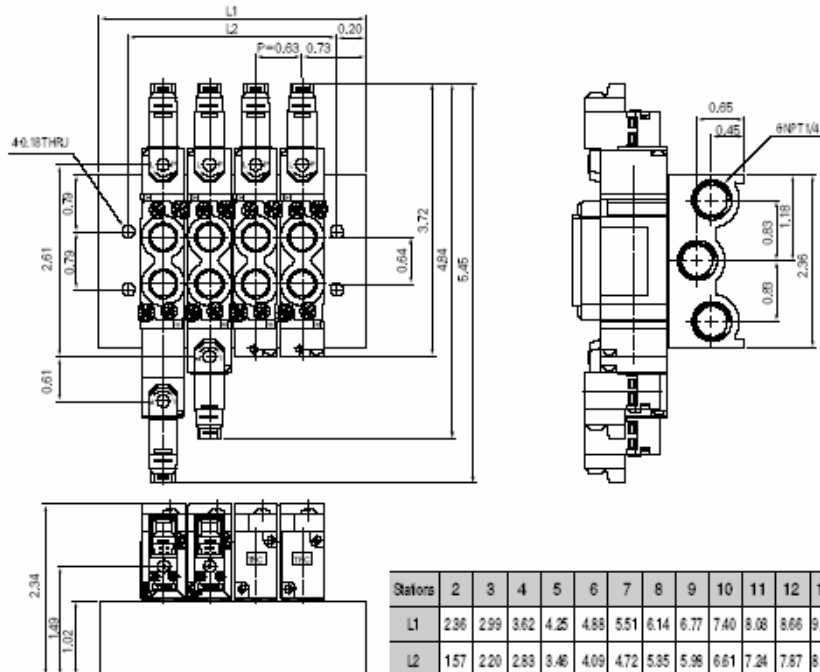
EPSI 3000, 5000 & 7000 SERIES VALVES 5 PORT PILOT SOLENOID / BODY PORTED / BASE PORTED TYPE

Dimensions

EPSI 5320 3 Position / Body Ported



Dimensions / Series EPSIM3-20



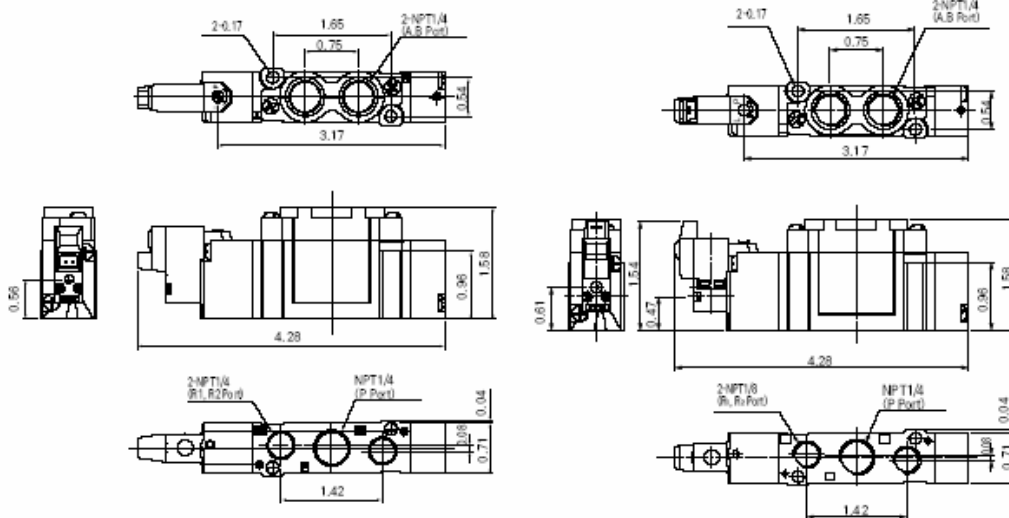
	(inch)																			
Stations	2	3	4	5	6	7	8	9	10	11	12	13	14	15	16	17	18	19	20	
L1	2.36	2.99	3.62	4.25	4.88	5.51	6.14	6.77	7.40	8.03	8.66	9.29	9.92	10.55	11.18	11.81	12.44	13.07	13.70	
L2	1.57	2.20	2.83	3.46	4.09	4.72	5.35	5.98	6.61	7.24	7.87	8.50	9.13	9.76	10.39	11.02	11.65	12.28	12.91	

TAN AIR PNEUMATICS

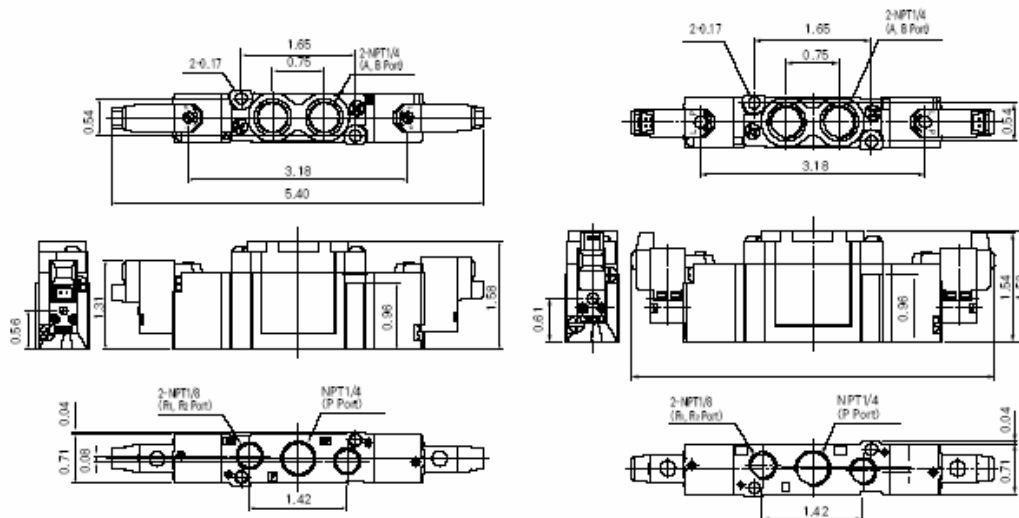
EPSI 3000, 5000 & 7000 SERIES VALVES 5 PORT PILOT SOLENOID / BODY PORTED / BASE PORTED TYPE

Dimensions

EPSI 7120 Single / Body Ported



EPSI 7220 Double / Body Ported

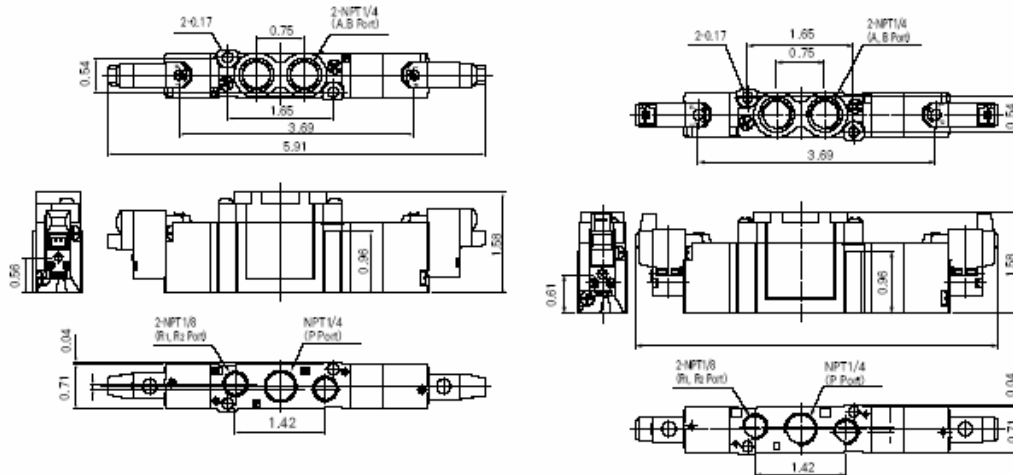


TANAIR PNEUMATICS

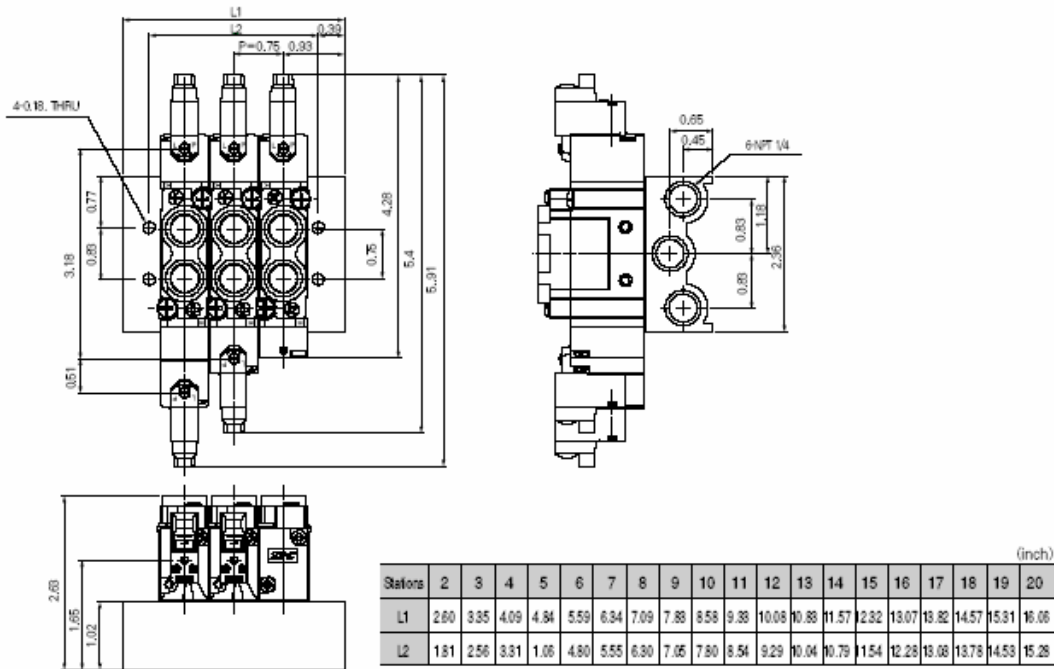
EPSI 3000, 5000 & 7000 SERIES VALVES 5 PORT PILOT SOLENOID / BODY PORTED / BASE PORTED TYPE

Dimensions

EPSI 7320 3 Position / Body Ported



Dimensions / Series EPSIM4-20



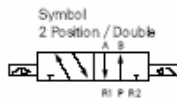
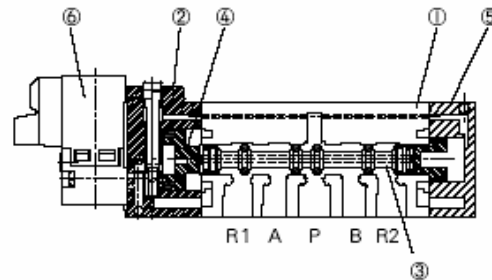
TANAIR PNEUMATICS

EPSI 3000, 5000 & 7000 SERIES VALVES 5 PORT PILOT SOLENOID / BODY PORTED / BASE PORTED TYPE

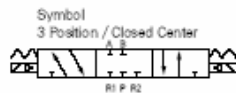
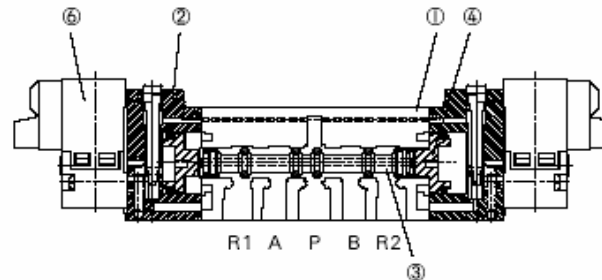
Construction / Base Ported



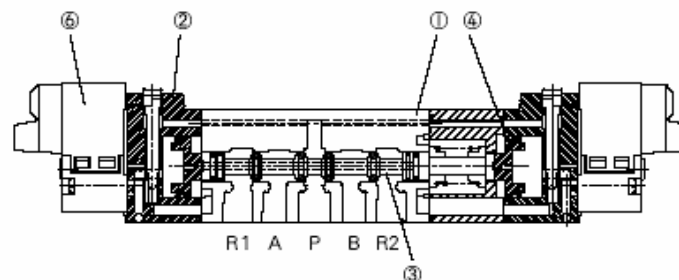
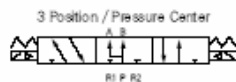
2 Position Single



2 Position Double



3 Position Closed Center / Exhaust Center / Pressure Center



Component Parts

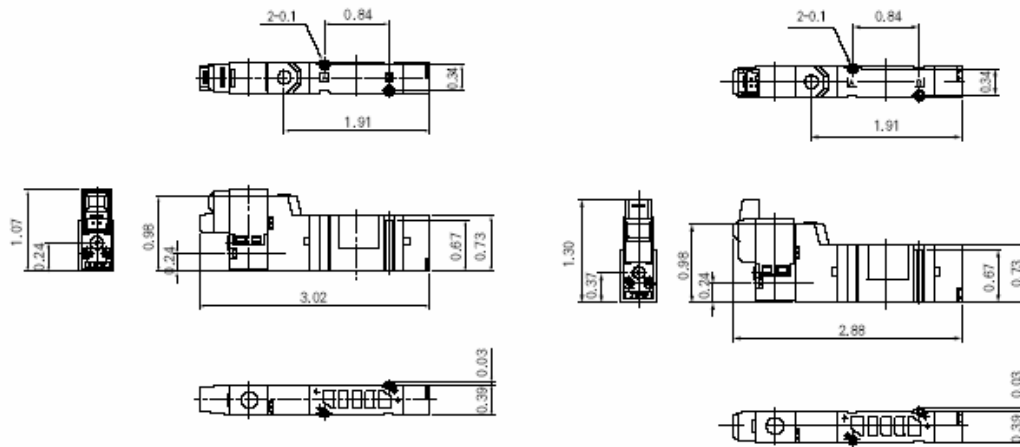
No.	Description	Material
1	BODY	Aluminum die Cast
2	ADAPTER PLATE	Resin
3	SPOOL	Aluminum
4	PISTON	Resin
5	END COVER	Resin
6	SOLENOID ASSY.	

TANAIR PNEUMATICS

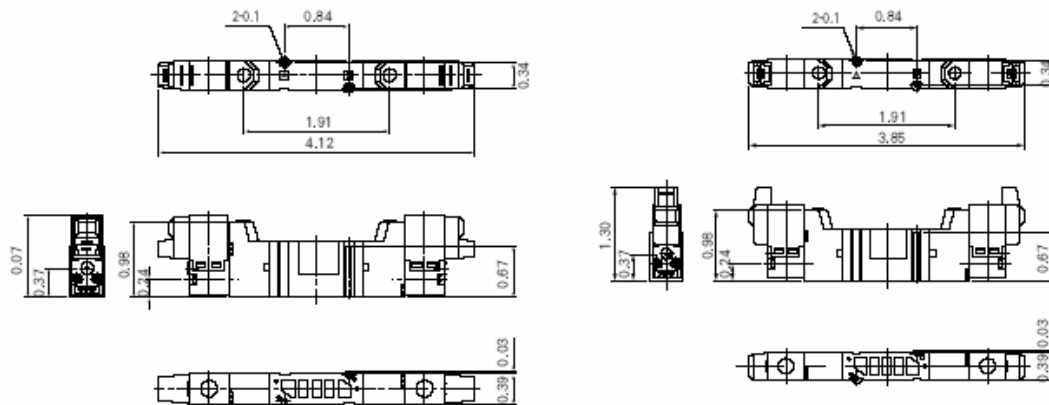
EPSI 3000, 5000 & 7000 SERIES VALVES 5 PORT PILOT SOLENOID / BODY PORTED / BASE PORTED TYPE

Dimensions

EPSI 3140 Single / Base Ported



EPSI 3240 Double / Base Ported

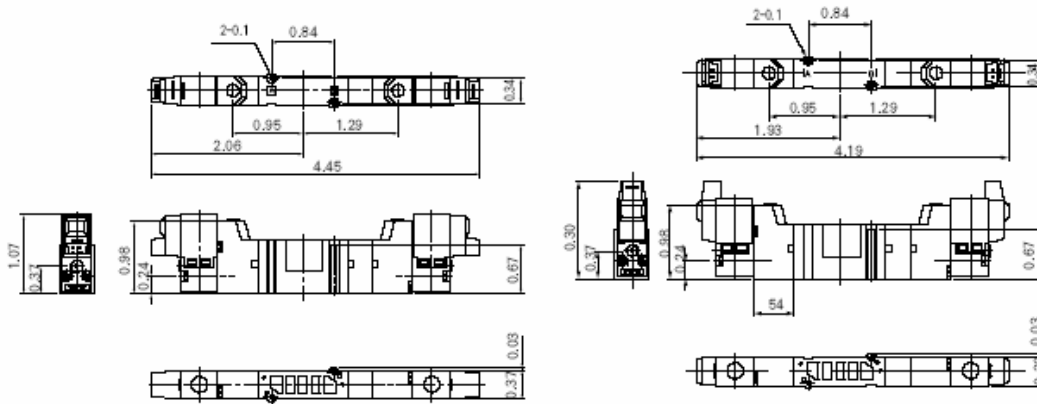


TANAIR PNEUMATICS

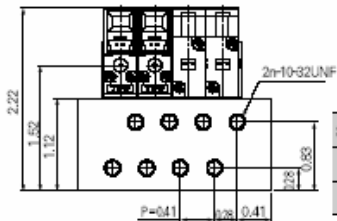
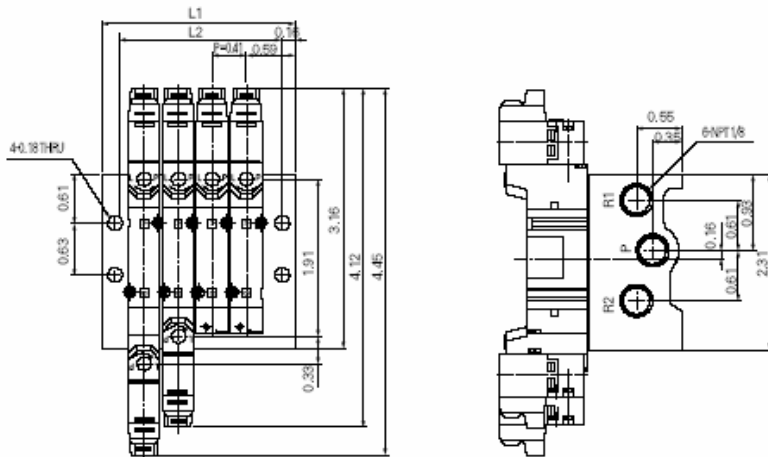
EPSI 3000, 5000 & 7000 SERIES VALVES 5 PORT PILOT SOLENOID / BODY PORTED / BASE PORTED TYPE

Dimensions

EPSI 3340 3 Position / Base Ported



Dimensions / Series EPSIM1-40



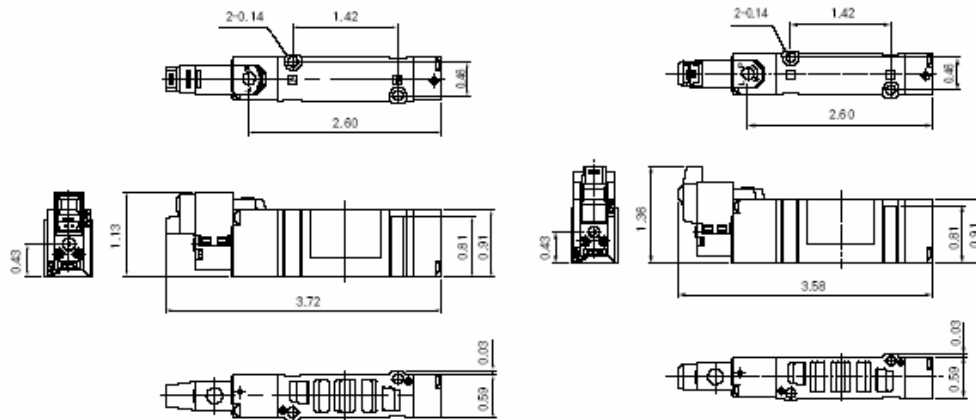
	(mm)																			
Stations	2	3	4	5	6	7	8	9	10	11	12	13	14	15	16	17	18	19	20	
L1	1.52	1.93	2.34	2.76	3.17	3.58	4.00	4.41	4.82	5.24	5.65	6.06	6.48	6.89	7.30	7.72	8.13	8.54	8.96	
L2	1.20	1.61	2.02	2.44	2.85	3.27	3.68	4.09	4.51	4.92	5.33	5.75	6.16	6.57	6.99	7.40	7.81	8.23	8.64	

TANAIR PNEUMATICS

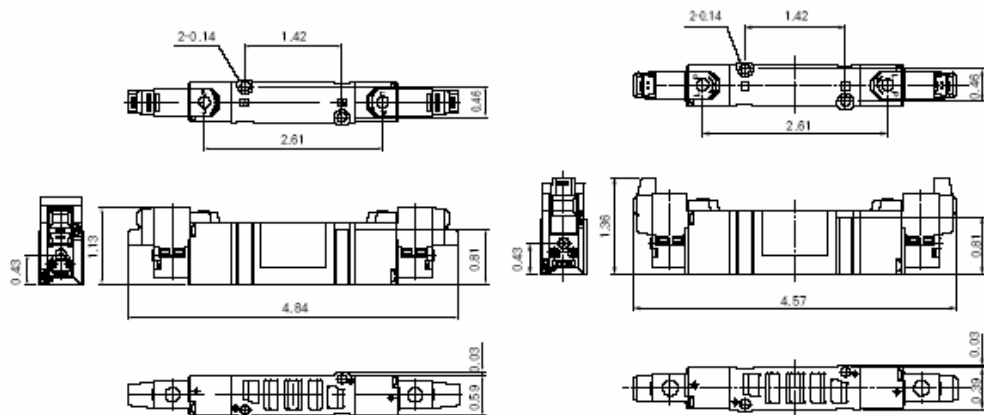
EPSI 3000, 5000 & 7000 SERIES VALVES 5 PORT PILOT SOLENOID / BODY PORTED / BASE PORTED TYPE

Dimensions

EPSI 5140 Single / Base Ported



EPSI 5240 Double / Base Ported

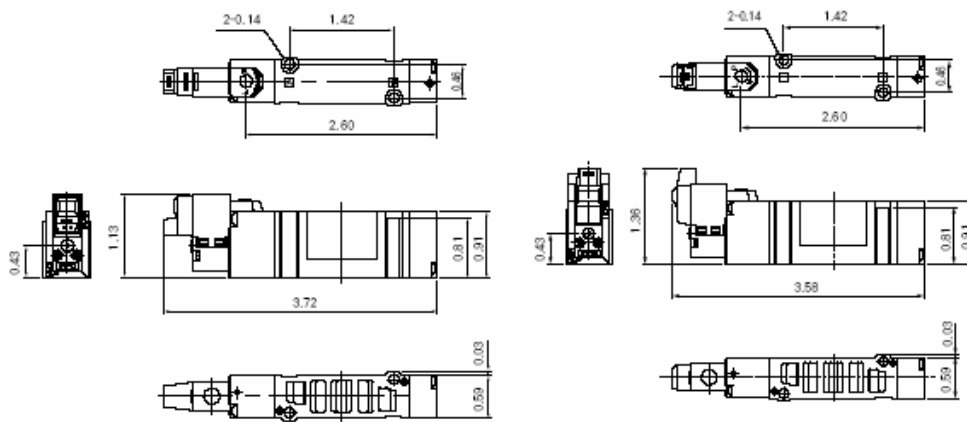


TANAIR PNEUMATICS

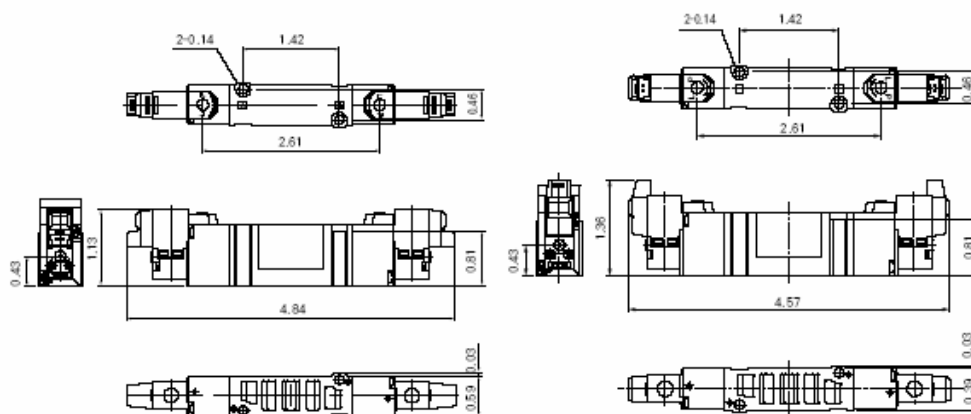
EPSI 3000, 5000 & 7000 SERIES VALVES 5 PORT PILOT SOLENOID / BODY PORTED / BASE PORTED TYPE

Dimensions

EPSI 5340 3 Position / Base Ported



Dimension / Series EPSIM3-40

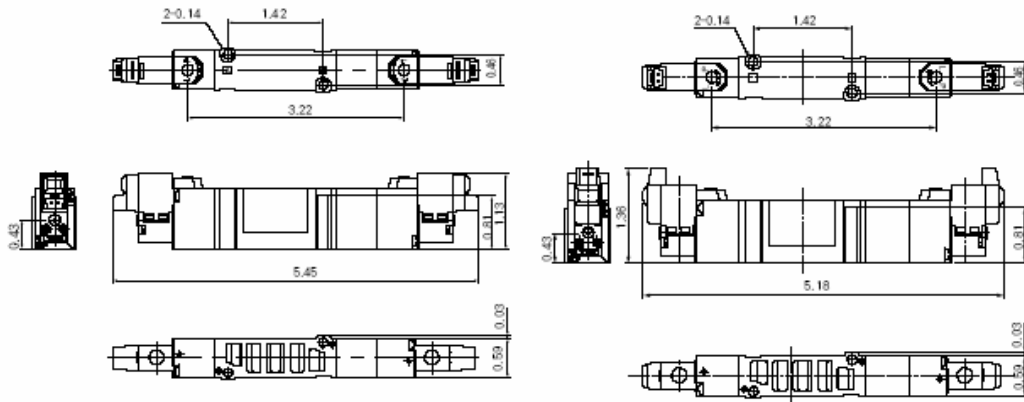


TANAIR PNEUMATICS

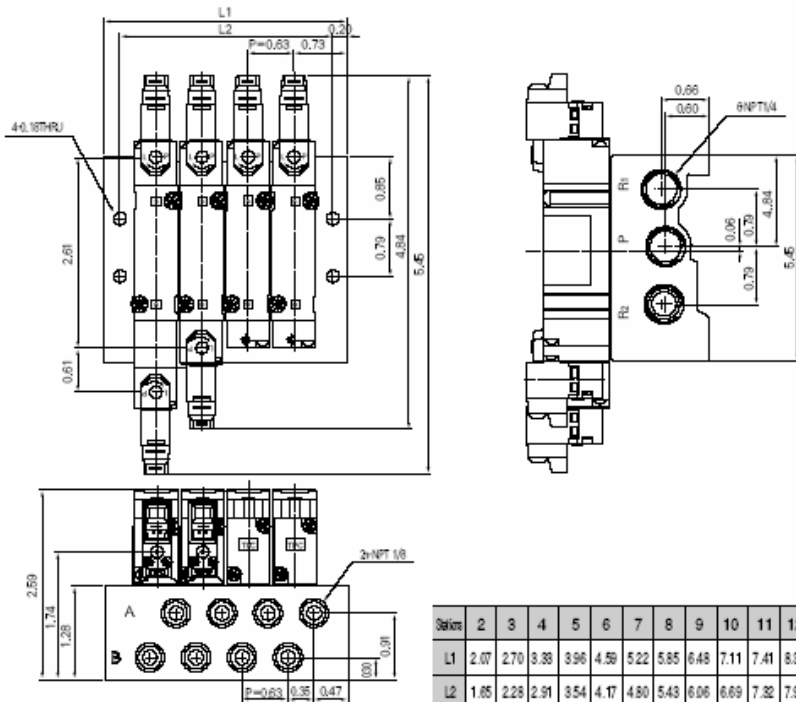
EPSI 3000, 5000 & 7000 SERIES VALVES 5 PORT PILOT SOLENOID / BODY PORTED / BASE PORTED TYPE

Dimensions

EPSI 7140 Single / Base Ported



EPSI 7240 Double / Base Ported



(inch)

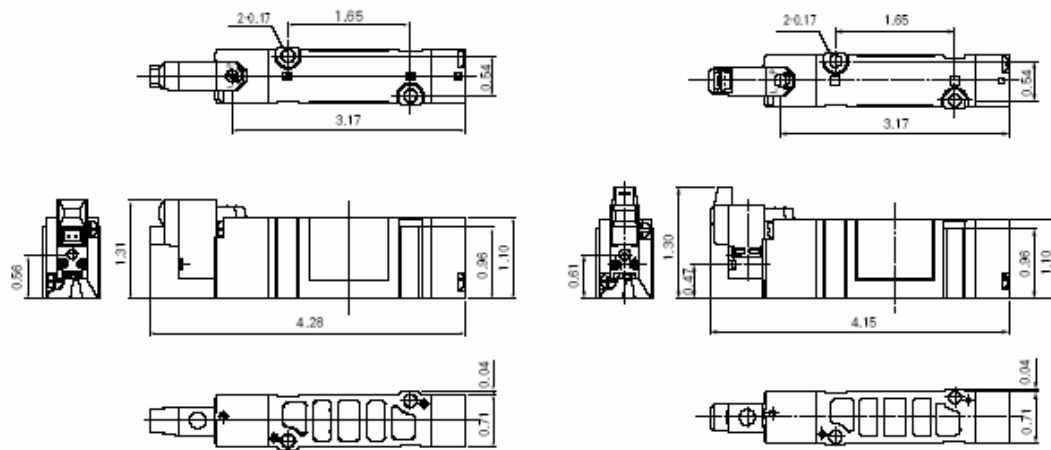
Stations	2	3	4	5	6	7	8	9	10	11	12	13	14	15	16	17	18	19	20
L1	2.07	2.70	3.38	3.96	4.59	5.22	5.85	6.48	7.11	7.41	8.37	9.00	9.63	10.28	10.88	11.52	12.15	12.78	13.41
L2	1.85	2.28	2.91	3.54	4.17	4.80	5.43	6.06	6.69	7.32	7.95	8.58	9.21	9.84	10.47	11.10	11.73	12.36	12.99

TAN AIR PNEUMATICS

EPSI 3000, 5000 & 7000 SERIES VALVES 5 PORT PILOT SOLENOID / BODY PORTED / BASE PORTED TYPE

Dimensions

EPSI 7340 3 Position / Base Mounted



Dimensions / Series EPSIM4-40

