

# TAN AIR PNEUMATICS

## EPVM 100 - SERIES VALVES

### HOW TO ORDER

#### EPVM 130-01-

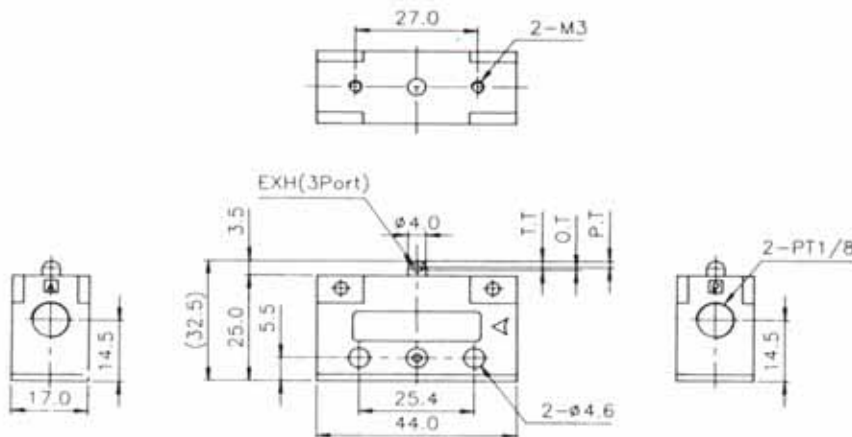
Actuator Type

00	Basic Type
01	Roller Lever
30	Push Button-Mushroom
33	Push Button-Flush
34	Twist Selector

Push Button Colour

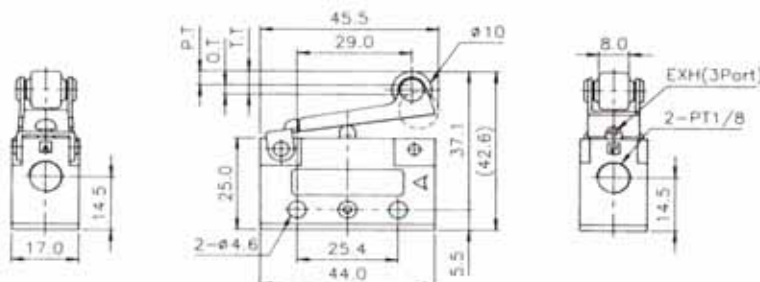
R	Red
G	Green
B	Black

#### EPVM 130-01-00 (Standard Type)



F.O.F	2kgf
P.T	1.5mm
O.T	1.5mm
T.T	3mm

#### EPVM 130-01-01 (Roller Type)

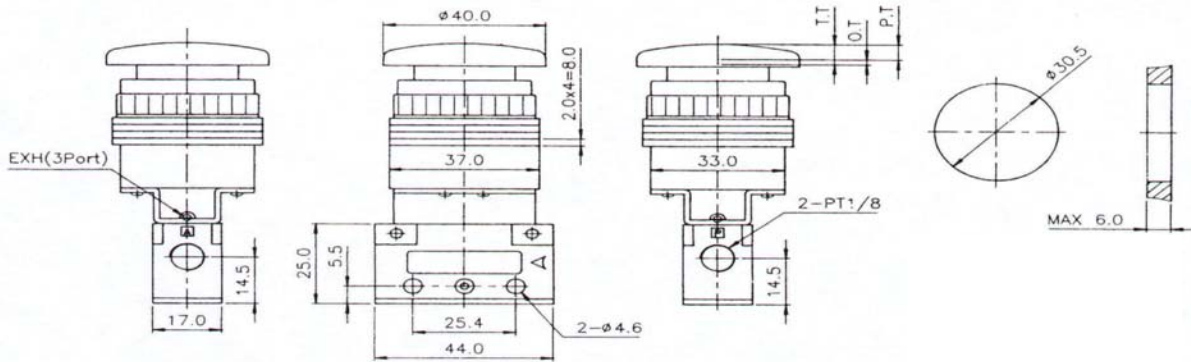


F.O.F	1kgf
P.T	3.2mm
O.T	2.3mm
T.T	5.5mm

# TANAI PNEUMATICS

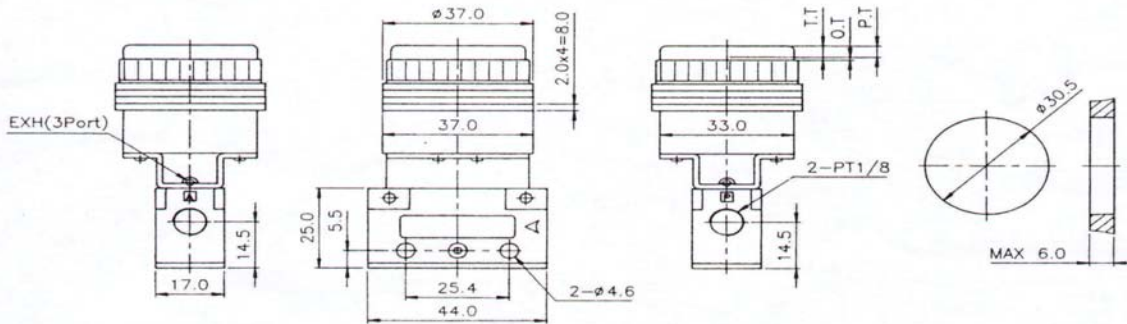
EPVM 130-01-30 (Exit Button Type)

F.O.F	2kgf
P.T	4.9mm
O.T	1.6mm
T.T	6.5mm



EPVM 130-01-33 (Push Button Type)

F.O.F	2kgf
P.T	4.9mm
O.T	1.6mm
T.T	6.5mm



EPVM 130-01-34 (Selector Type)

F.O.F	1.5kgf
T.T	90°

