

TAN AIR PNEUMATICS

EPVM 200 - SERIES VALVES

HOW TO ORDER

EPVM 230-02-

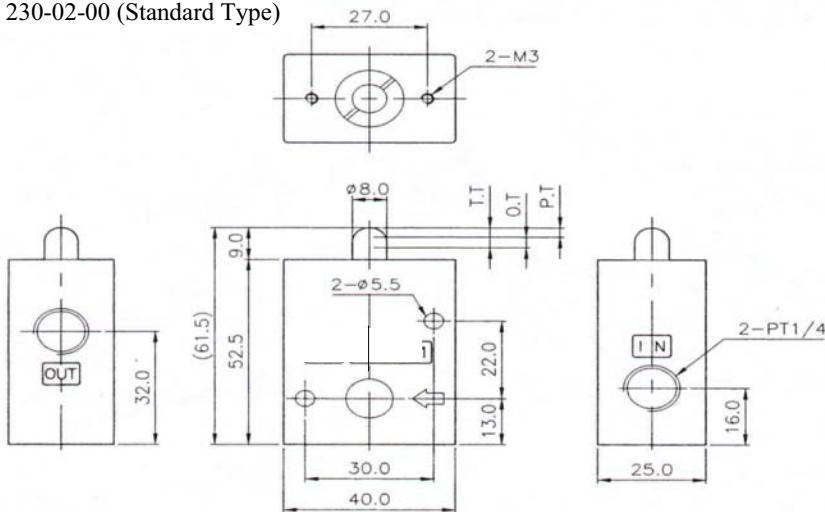
Actuator Type

00	Basic Type
01	Roller Lever
30	Push Button-Mushroom
33	Push Button-Flush
34	Twist Selector (2 position)

Push Button Colour

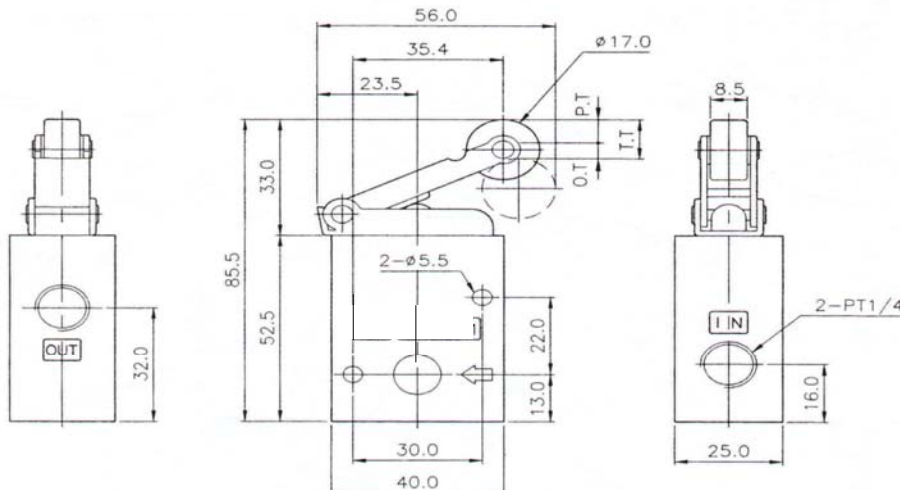
R	Red
G	Green
B	Black

EPVM 230-02-00 (Standard Type)



F.O.F	5.2kgf
P.T	3mm
O.T	2mm
I.T	5mm

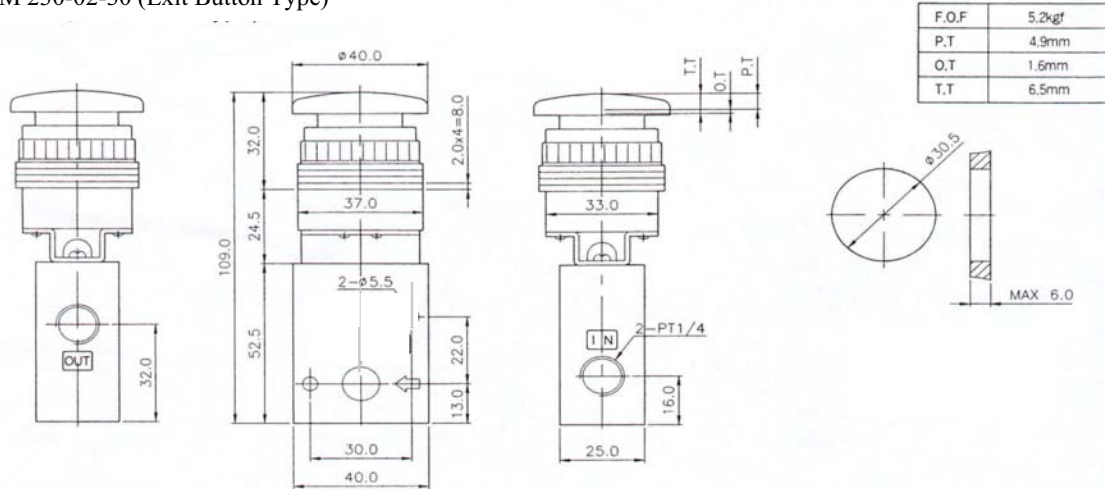
EPVM 230-02-01 (Roller Type)



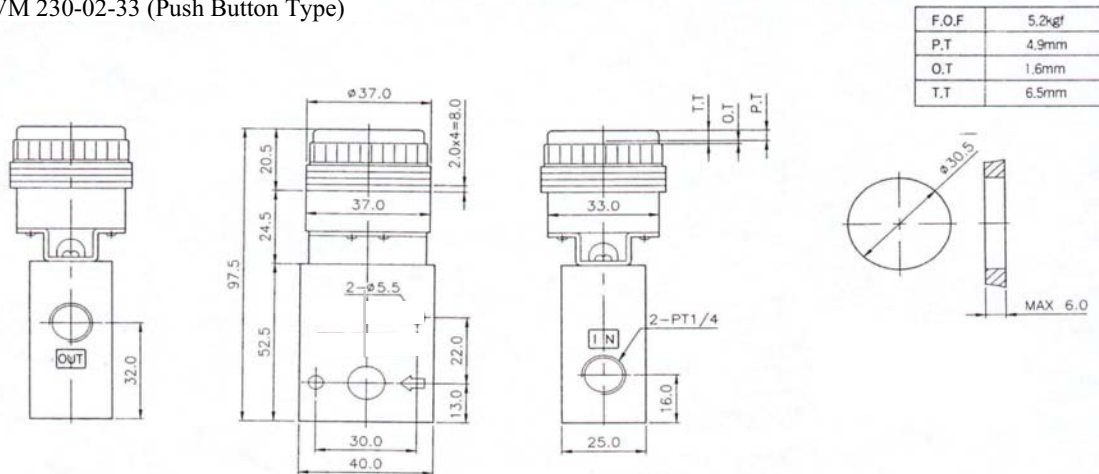
F.O.F	2.4kgf
P.T	6.5mm
O.T	4.5mm
I.T	11mm

TANAIR PNEUMATICS

EPVM 230-02-30 (Exit Button Type)



EPVM 230-02-33 (Push Button Type)



EPVM 230-02-34 (Selector Type)

