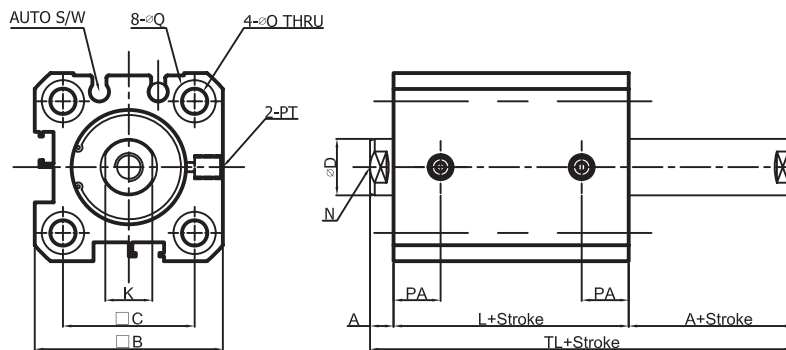


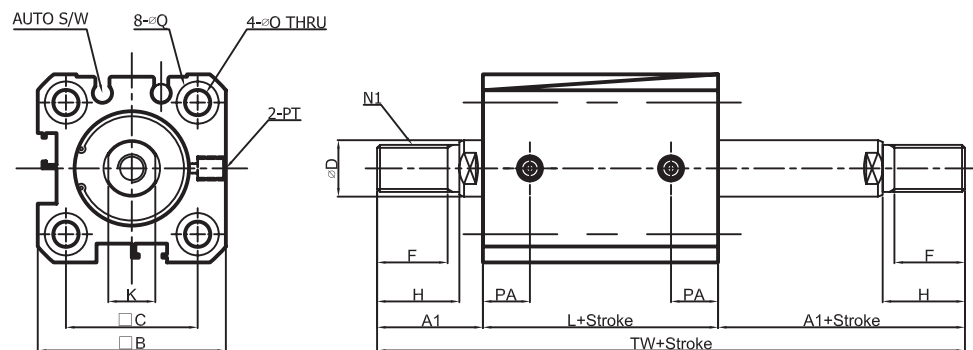
TAN AIR

TPCDQ2(MAGNETIC) COMPACT CYLINDER DOUBLE ACTING TYPE(DOUBLE ROD)

Female Screw: $\Phi 20$ — $\Phi 25$



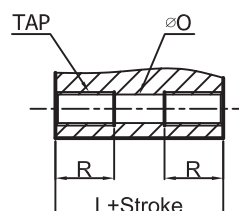
Male Screw: $\Phi 20$ — $\Phi 25$



Model	Stroke	A	A1	□B	□C	ΦD	F	H	K	L	N	N1	ΦO	PA
TPCDQ2B20	5~50	4.5	18.5	36	25.5	10	12	14	8	38	M5×0.8 Dp8	M8×1.25	5.5	10.5
TPCDQ2B25	5~50	5	22.5	40	28	12	15	17.5	10	39	M6×1.0 Dp12	M10×1.25	5.5	11

Model	TW	TL	PT	ΦQ
TPCDQ2B20	75	45	M5×0.8	9 Dp7
TPCDQ2B25	84	49	M5×0.8	9 Dp7

Both End-Tap Type

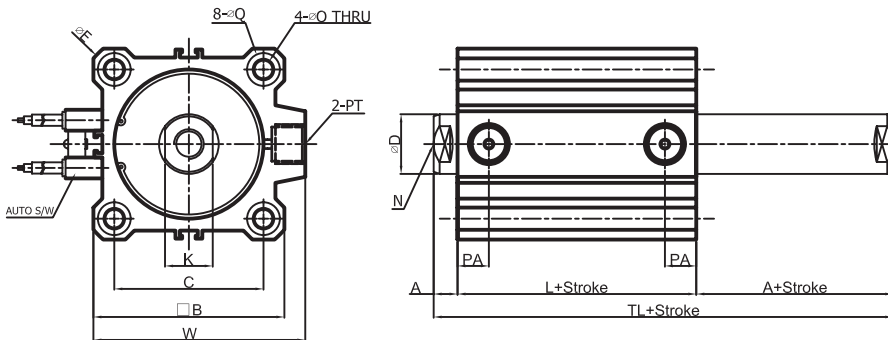


Model	TAP	R
TPCDQ2B20	M6×1.0	10
TPCDQ2B25	M6×1.0	10

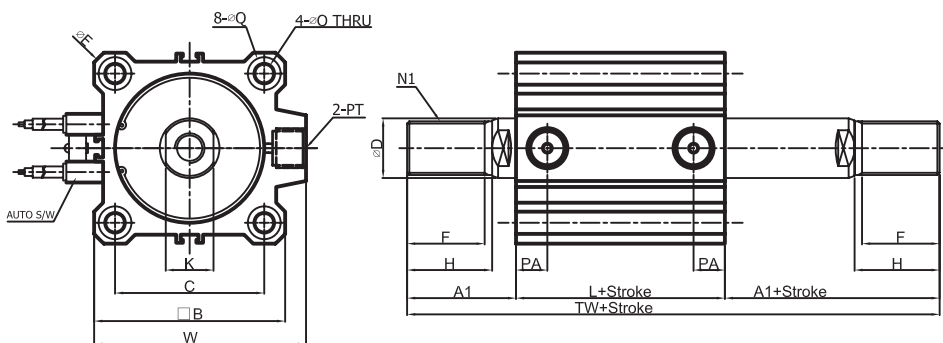
TAN AIR

TPCDQ2(MAGNETIC) COMPACT CYLINDER DOUBLE ACTING TYPE(DOUBLE ROD)

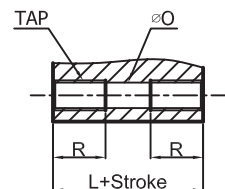
Female Screw: $\Phi 32$ — $\Phi 100$



Male Screw: $\Phi 32$ — $\Phi 100$



Both End-Tap Type



Model	TAP	R
TPCDQ2B32	M6×1.0	10
TPCDQ2B40	M6×1.0	10
TPCDQ2B50	M8×1.25	14
TPCDQ2B63	M10×1.5	18
TPCDQ2B80	M12×1.75	22
TPCDQ2B100	M12×1.75	22

Model	Stroke	A	A1	□B	□C	ΦD	ΦE	F	H	K	L	N	N1
TPCDQ2B32	5~100	7	28.5	45	34	16	60	20.5	23.5	14	40.5	M8×1.25 Dp13	M14×1.5
TPCDQ2B40	5~100	7	28.5	52	40	16	69	20.5	23.5	14	50	M8×1.25 Dp13	M18×1.5
TPCDQ2B50	10~100	8	33.5	64	50	20	86	26	28.5	16	50.5	M10×1.5 Dp15	M18×1.5
TPCDQ2B63	10~100	8	33.5	77	60	20	103	26	28.5	16	52	M10×1.5 Dp15	M18×1.5
TPCDQ2B80	10~100	10	43.5	98	77	25	132	32.5	35.5	22	61	M16×2.0 Dp21	M22×1.5
TPCDQ2B100	10~100	12	43.5	117	94	30	156	32.5	35.5	27	70.5	M20×2.5 Dp27	M26×1.5

Model	ΦO	PA	TL	PT	ΦQ	TW
TPCDQ2B32	5.5	10.5	54.5	PT1/8	9 Dp7	107
TPCDQ2B40	5.5	12	64	PT1/8	9 Dp7	107
TPCDQ2B50	6.8	10.5	66.5	PT1/4	11 Dp8	117.5
TPCDQ2B63	9	15	68	PT1/4	14 Dp10.5	119
TPCDQ2B80	11	18	81	PT3/8	17.5 Dp13.5	148
TPCDQ2B100	11	23	94.5	PT3/8	17.5 Dp13.5	157.5