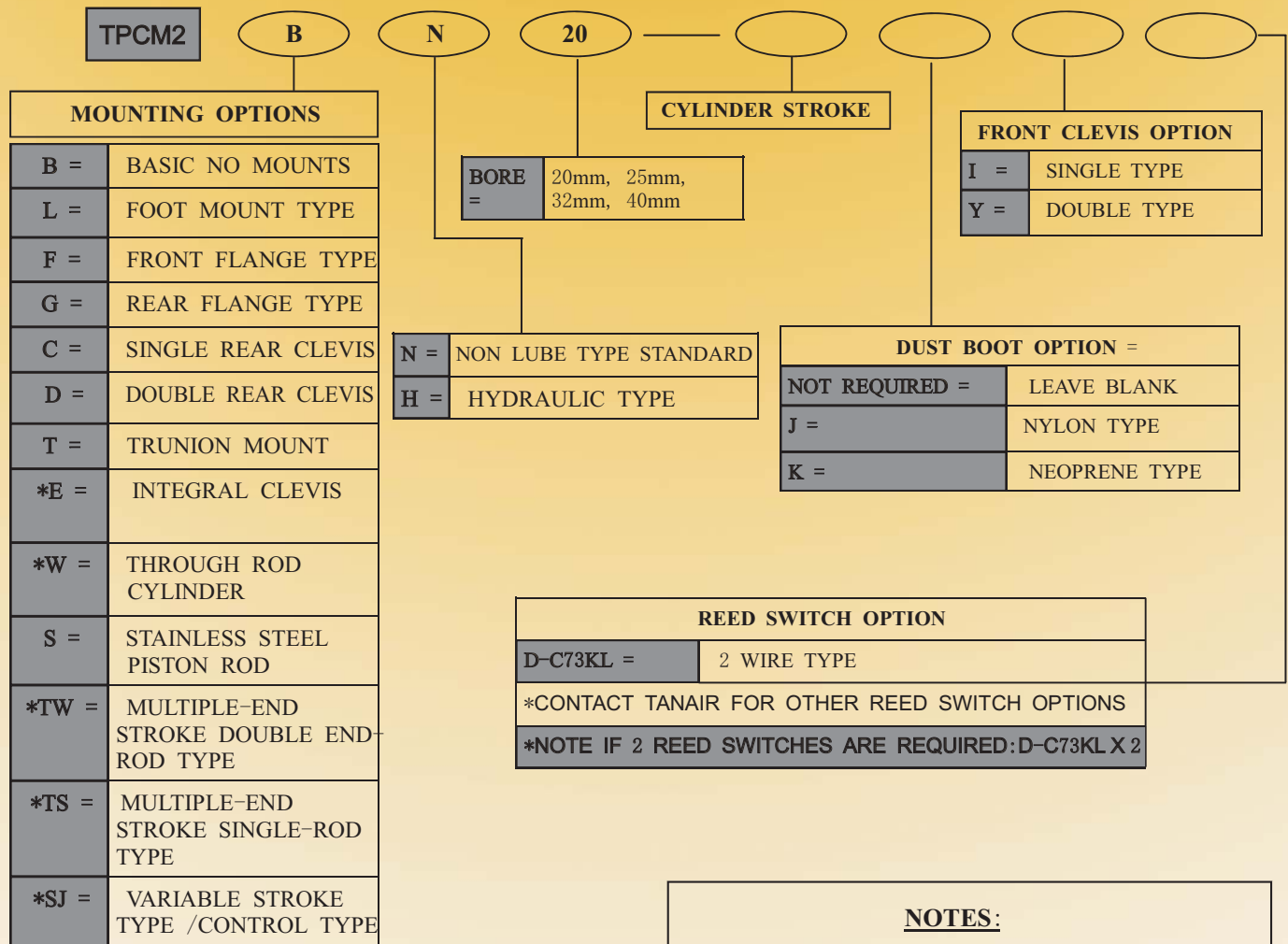


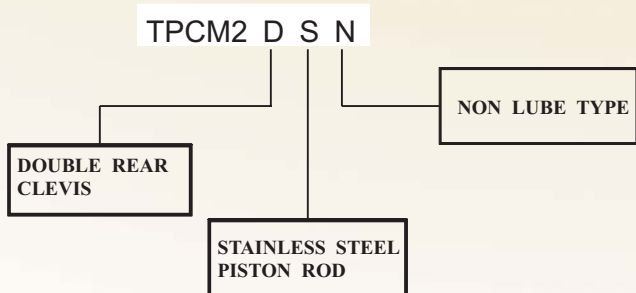
TAN AIR PNEUMATICS

TPCM2 J. I. S TYPE CYLINDER PARTS ORDERING GUIDE



- IF YOU REQUIRE MOUNTS AS WELL AS STAINLESS STEEL PISTON ROD SEE BELOW:

EXAMPLE:

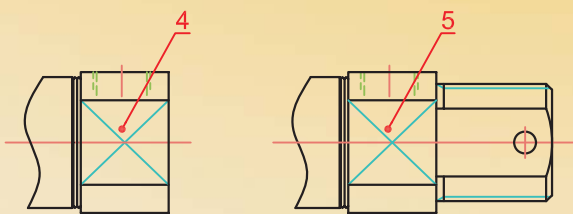
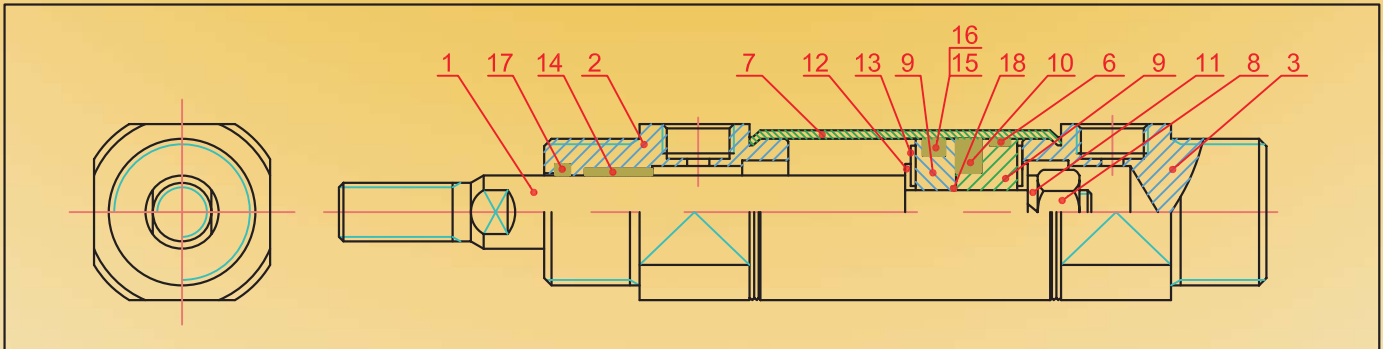


- NOTES:**
- ALL TPCM2 CYLINDERS ARE MAGNETIC AS STANDARD
 - FOR DIMMENSIONS SEE STANDARD DIMMENSION PDF
 - *REFER TO NON STANDARD PDF FOR DI-MENSIONS
 - FOR ANY OPTIONS NOT LISTED CONTACT TANAIR.

TAN AIR PNEUMATICS

TPCM2 J.I.S TYPE CYLINDER PARTS

INSIDE STRUCTURE DRAWING



PARTS LIST

NO	NAME	Material
1	ROD	S45C
2	ROD COVER	A2024
3	HEAD COVER	A2024
4	HEAD COVER	A2024
5	HEAD COVER	A2024
6	WEARING	ACETAL
7	TUBE	SUS304
8	PISTON LOCK NUT	S10C
9	PISTON	A2024
10	MAGNET	STEEL
11	SPRING WASHER	SCM4
12	SLEEVE	BSBM
13	DEMPER	URETHANE
14	OILESS	CU+OIL

BASIC(OILESS) TYPE

15	PISTON PACKING	NBR	OPA20	OPA25	OPA32	OPA40
17	ROD PACKING	NBR	DRP10	DRP12	DRP12	DRP16
18	ROD O RING	NBR	S6	S8	S8	S10

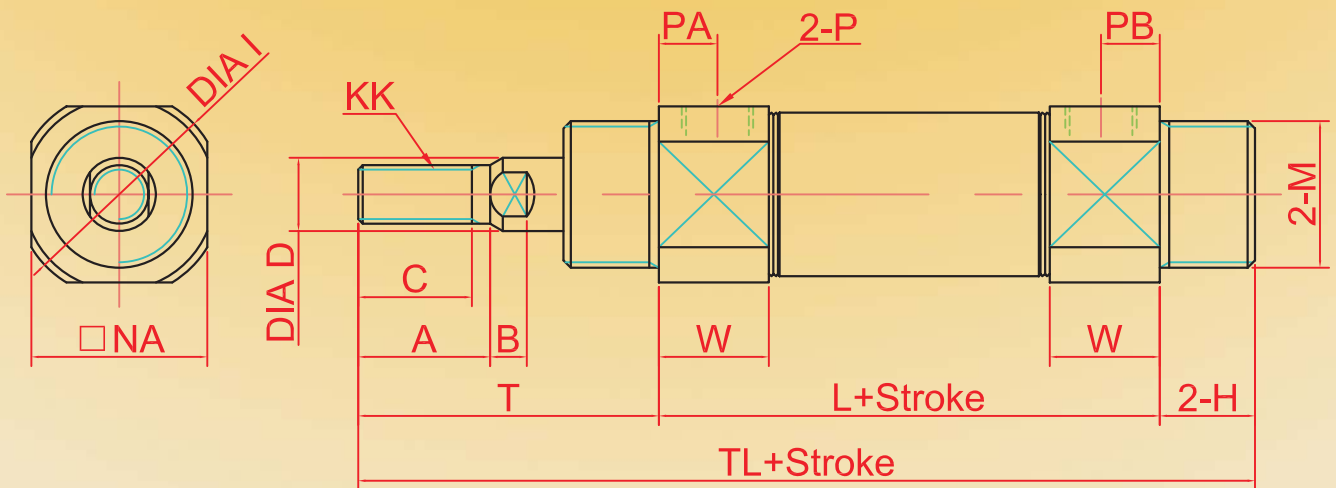
LOW HYDRAULIC TYPE

16	PISTON PACKING	NBR	HSD20	HSD25	HSD32	HSD40
----	----------------	-----	-------	-------	-------	-------

TAN AIR PNEUMATICS

TPCM2 J.I.S TYPE CYLINDER

BASIC TYPE



BORE	STROKE RANGE	C	A	B	D	H	I	KK	L	M	P(PT)	PA	PB
20	-300	15.5	18	5.0	10	13	28	M8*1.25	62	M20*1.5	1/8	8	8
25	-300	19.5	22	5.5	12	13	33.5	M10*1.25	62	M26*1.5	1/8	8	8
32	-300	19.5	22	5.5	12	13	37.5	M10*1.25	64	M26*1.5	1/8	8	8
40	-300	21.0	24	7.5	16	16	46.5	M14*1.25	88	M30*2.0	1/4	11	11
BORE	STROKE RANGE	T	TL	W	NA								
20	-300	41	116	15	24								
25	-300	45	120	15	30								
32	-300	45	122	15	34.5								
40	-300	50	154	21	42.5								

TAN AIR PNEUMATICS

TPCM2 J.I.S TYPE CYLINDER

TYPE

NOTATION	TYPE	WORKING METHOD	PISTON PACKING	REMARKS
	NO OIL SUPPLY	DOUBLE ACTING	SPECIAL PACKING	BASIC BUILT-IN OF MAGNET
	LOW HYDRAULIC	DOUBLE ACTING	SPECIAL PACKING	I-D(mm)

STANDARD STROKE TABLE

I-D(mm)	Standard Stroke	Min.Stroke Range
DIA20	25 50 75 100 125 150 200 250 300	500
DIA25		
DIA32		
DIA40		

SPECIFICATION

TYPE	NO OIL SUPPLY	LOW HYDRAULIC TYPE
Working Oil	Air	Hydraulic Working Oil
Bearing Pressure	15kgf/cm ²	
Max Set Pressure	9.9kgf/cm ²	
Min Set Pressure	0.5kgf/cm ²	1.0kgf/cm ²
Ambient	5-60° C	
Working Speed	50-700mm/s	0.5-300mm/s
Cushion	Rubber Cushion	
Screw Tolerance	KS2 level	
Allowance of stroke length	-250 ^{+1.0} ₀	251-500 ^{+1.4} ₀

LOT-END NUMBER

I-D(mm)	20	25, 32	40
LOT-END			
Single Knuckle Joint	TPCM2B-I-20	TPCM2B-I-25/32	TPCM2B-I-40
Double Knuckle Joint	TPCM2B-Y-20	TPCM2B-Y-25/32	TPCM2B-Y-40

SUPPORTING PARTS NUMBER

I-D(mm)	20	25, 32	40
LOT-END			
Foot Type	TPCM2B-L-20	TPCM2B-L-25/32	TPCM2B-L-40
Flange Type	TPCM2B-F-20	TPCM2B-F-25/32	TPCM2B-F-40
Single Clevis Type	TPCM2B-C-20	TPCM2B-C-25/32	TPCM2B-C-40
Double Clevis Type	TPCM2B-D-20	TPCM2B-D-25/32	TPCM2B-D-40
Trunion Type	TPCM2B-T-20	TPCM2B-T-25/32	TPCM2B-T-40

MOUNTED TYPE AND PARTS

PARTS	Basic Parts			Special Option		
	Mounted-Nut	Rod Lot-End Nut	Pin For Clevis	Single Knuckle Joint	Double Knuckle Joint	Bellows
MOUNTED TYPE						
Basic Type	● 1 (EA)	●	-	●	●	●
Foot Type	● 2 (EA)	●	-	●	●	●
Rod-Side Flange Type	● 1 (EA)	●	-	●	●	●
Head-Side Flange Type	● 1 (EA)	●	-	●	●	●
Clevis Single-Body Type	-	●	-	●	●	●
Single Thread Clevis Type	-	●	-	●	●	●
Double Thread Clevis Type	-	●	●	●	●	●
Head-Side Trunion Type	● 1 (EA)	●	-	●	●	●
Rod-Side Trunion Type	● 1 (EA)	●	-	●	●	●
Compact(Both Cut) Basic Type	● 1 (EA)	●	-	●	●	●
Compact(Both Cut) Flendge Type	● 1 (EA)	●	-	●	●	●