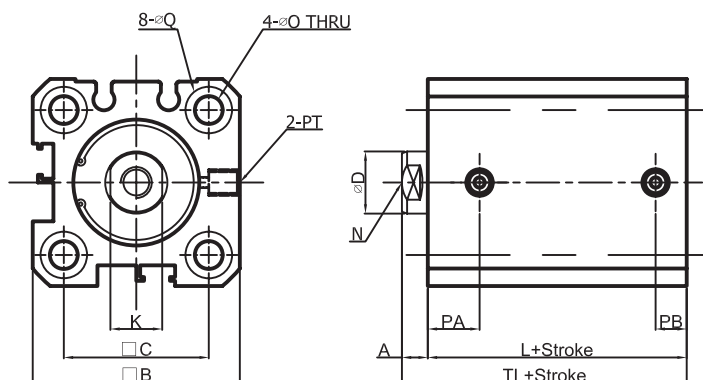


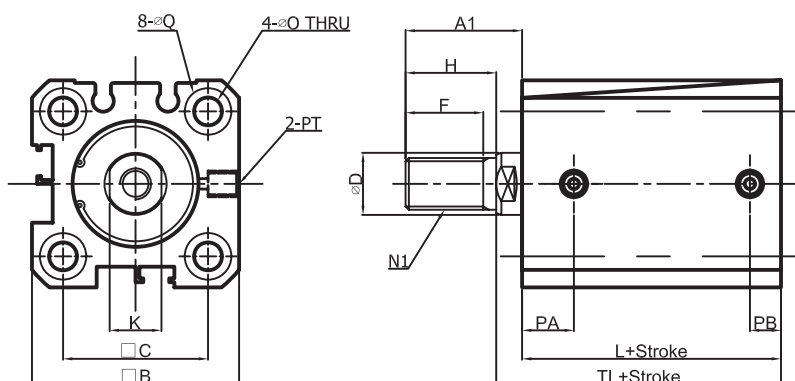
TAN AIR

TPCQ2(NON MAGNETIC) COMPACT CYLINDER DOUBLE ACTING TYPE

Female Screw: $\Phi 12-\Phi 25$



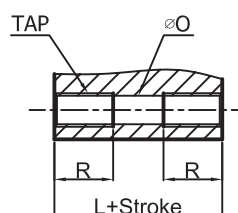
Male Screw: $\Phi 12-\Phi 25$



Model	Stroke	A	A1	□B	□C	ΦD	F	H	K	L	N	N1	ΦO	PA
TPCQ2B12	5~30	3.5	14	25	19.5	6	9	10.5	5	17	M3×0.5 Dp6	M5×0.8	3.5	7.5
TPCQ2B16	5~30	3.5	15.5	29	20	8	10	12	6	18.5	M4×0.7 Dp8	M6×1.0	3.5	8
TPCQ2B20	5~50	4.5	18.5	36	25.5	10	12	14	8	19.5	M5×0.8 Dp8	M8×1.25	5.5	10.5
TPCQ2B25	5~50	5	22.5	40	28	12	15	17.5	10	22.5	M6×1.0 Dp12	M10×1.25	5.5	11

Model	PB	TL	PT	ΦQ
TPCQ2B12	5	20.5	M5×0.8	6.5 Dp3.5
TPCQ2B16	5.5	22	M5×0.8	6.5 Dp3.5
TPCQ2B20	6	24	M5×0.8	9 Dp7
TPCQ2B25	5.5	27.5	M5×0.8	9 Dp7

Both End-Tap Type

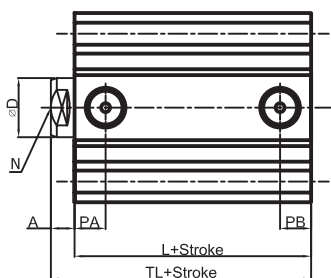
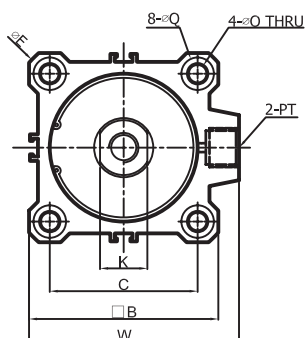


Model	TAP	R
TPCQ2B12	M4×0.7	7
TPCQ2B16	M4×0.7	7
TPCQ2B20	M6×1.0	10
TPCQ2B25	M6×1.0	10

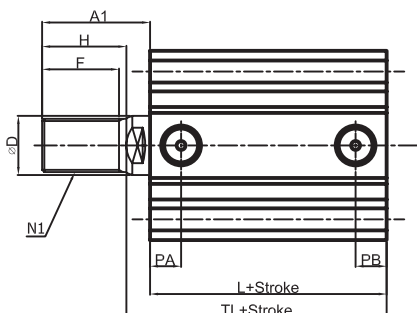
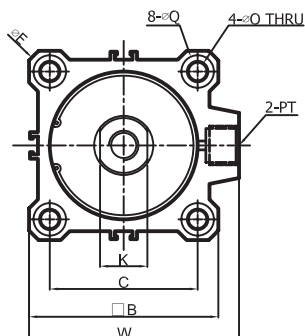
TAN AIR

TPCQ2(NON MAGNETIC) COMPACT CYLINDER DOUBLE ACTING TYPE

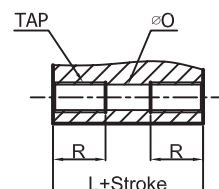
Female Screw: $\Phi 32$ — $\Phi 100$



Male Screw: $\Phi 32$ — $\Phi 100$



Both End-Tap Type



Model	TAP	R
TPCQ2B32	M6×1.0	10
TPCQ2B40	M6×1.0	10
TPCQ2B50	M8×1.25	14
TPCQ2B63	M10×1.5	18
TPCQ2B80	M12×1.75	22
TPCQ2B100	M12×1.75	22

Model	Stroke	A	A1	□B	□C	ΦD	ΦE	F	H	K	L	N	N1
TPCQ2B32	5	7	28.5	45	34	16	60	20.5	23.5	14	23	M8×1.25 Dp13	M14×1.5
	10~100												
TPCQ2B40	5~100	7	28.5	52	40	16	69	20.5	23.5	14	29.5	M8×1.25 Dp13	M18×1.5
TPCQ2B50	10~100	8	33.5	64	50	20	86	26	28.5	16	30.5	M10×1.5 Dp15	M18×1.5
TPCQ2B63	10~100	8	33.5	77	60	20	103	26	28.5	16	36	M10×1.5 Dp15	M18×1.5
TPCQ2B80	10~100	10	43.5	98	77	25	132	32.5	35.5	22	43.5	M16×2.0 Dp21	M22×1.5
TPCQ2B100	10~100	12	43.5	117	94	30	156	32.5	35.5	27	53	M20×2.5 Dp27	M26×1.5

Model	ΦO	PA	PB	TL	PT	ΦQ	W
TPCQ2B32	5.5	11.5	5.5	30	M5×0.8	9 Dp7	49.5
		10.5	7.5		PT1/8		
TPCQ2B40	5.5	12	8.5	36.5	PT1/8	9 Dp7	57
TPCQ2B50	6.8	10.5	10.5	38.5	PT1/4	11 Dp8	71
TPCQ2B63	9	15	11	44	PT1/4	14 Dp10.5	84
TPCQ2B80	11	18	12.5	53.5	PT3/8	17.5 Dp13.5	104
TPCQ2B100	11	23	13	65	PT3/8	17.5 Dp13.5	123.5